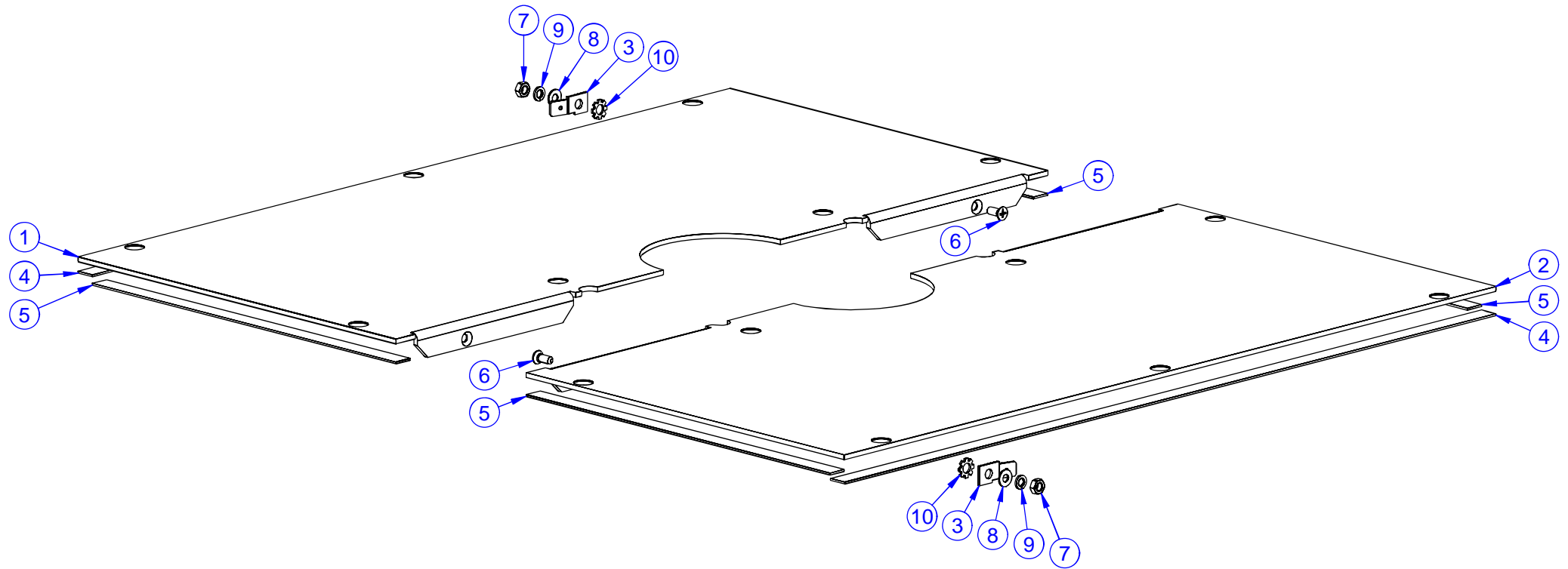
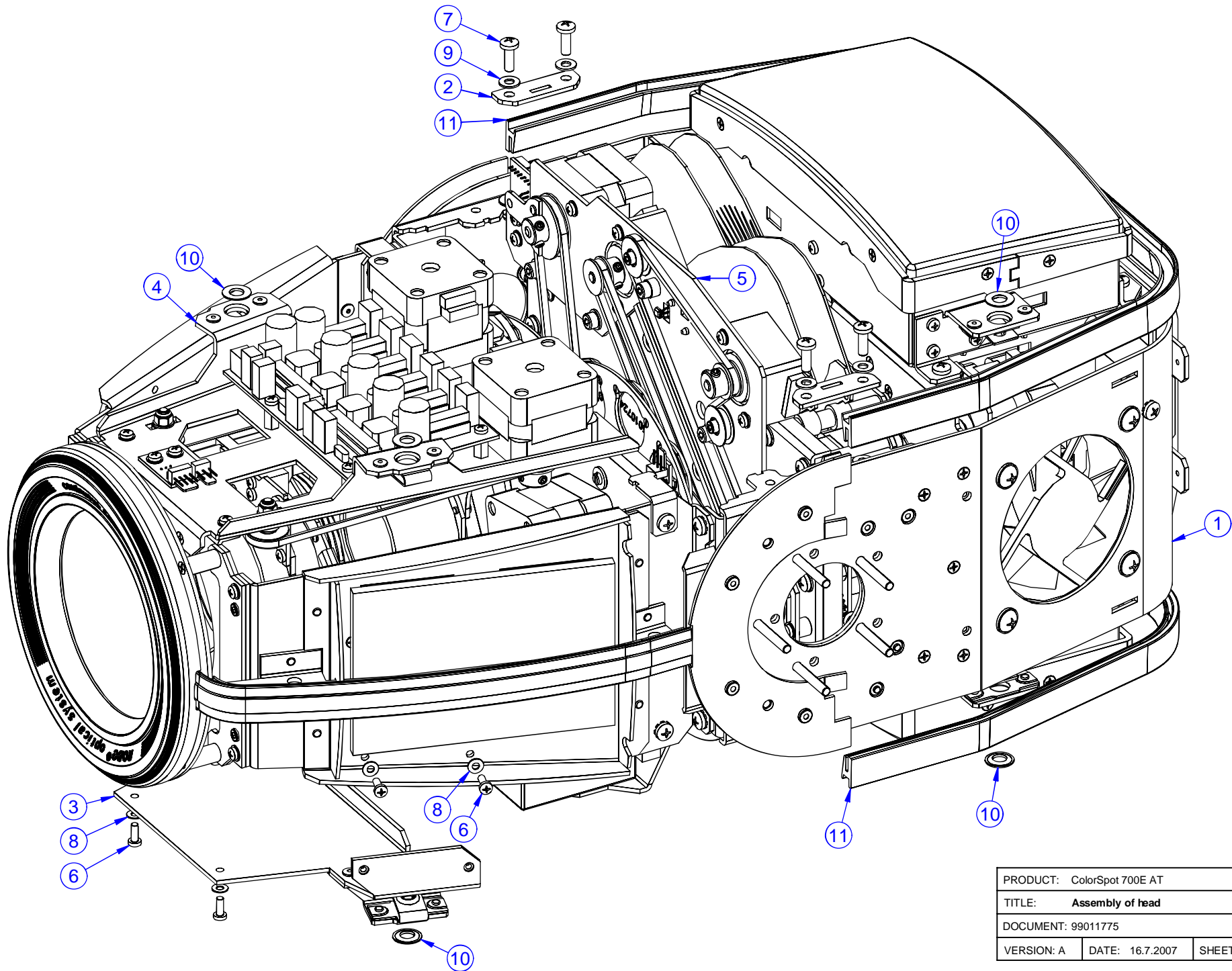


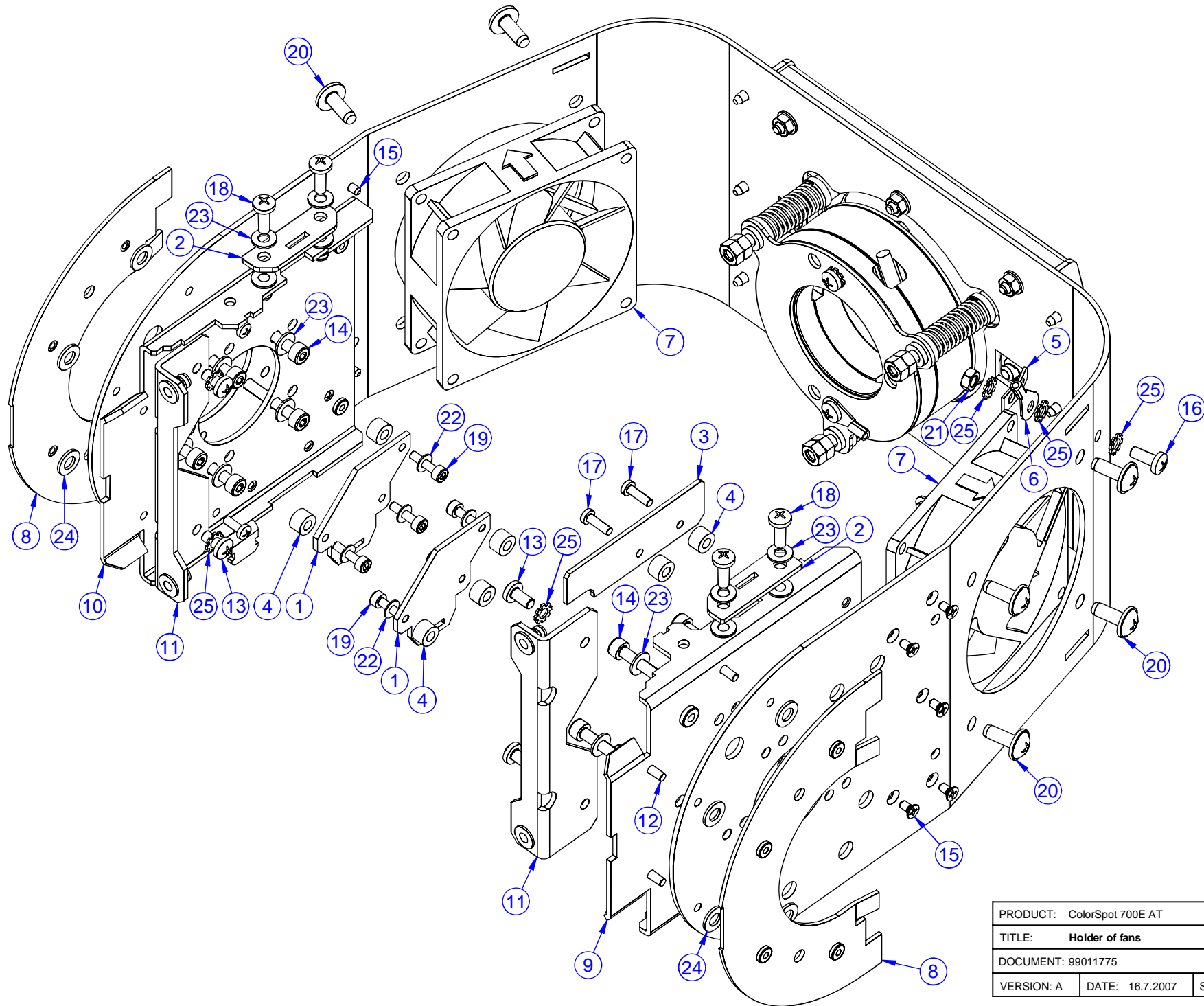
PRODUCT: ColorSpot 700E AT		
TITLE: Covers		
DOCUMENT: 99011776		
VERSION: A	DATE: 16.7.2007	SHEET: 1 OF 36



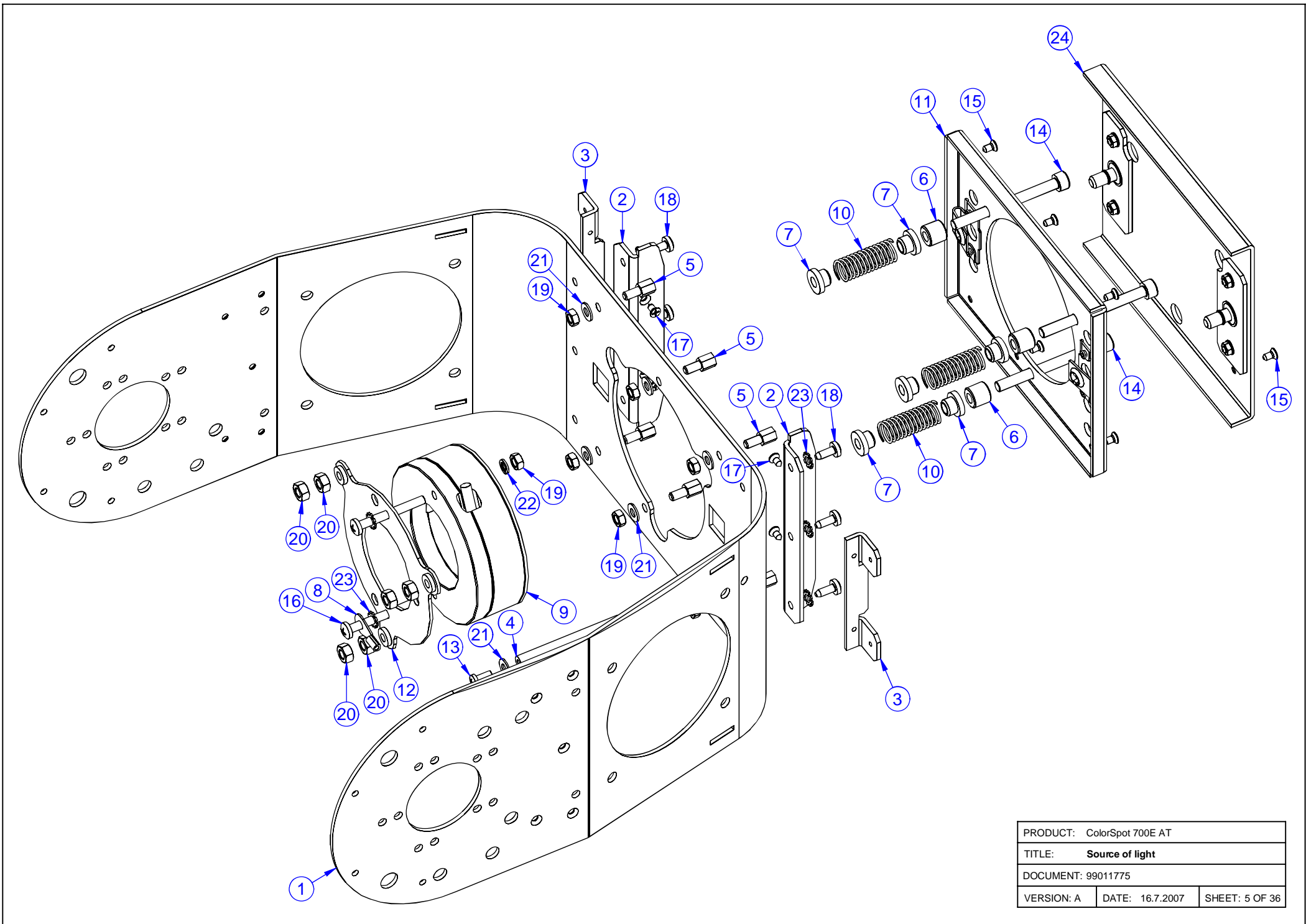
PRODUCT: ColorSpot 700E AT		
TITLE: Covers A, B		
DOCUMENT: 99011695		
VERSION: A	DATE: 16.7.2007	SHEET: 2 OF 36



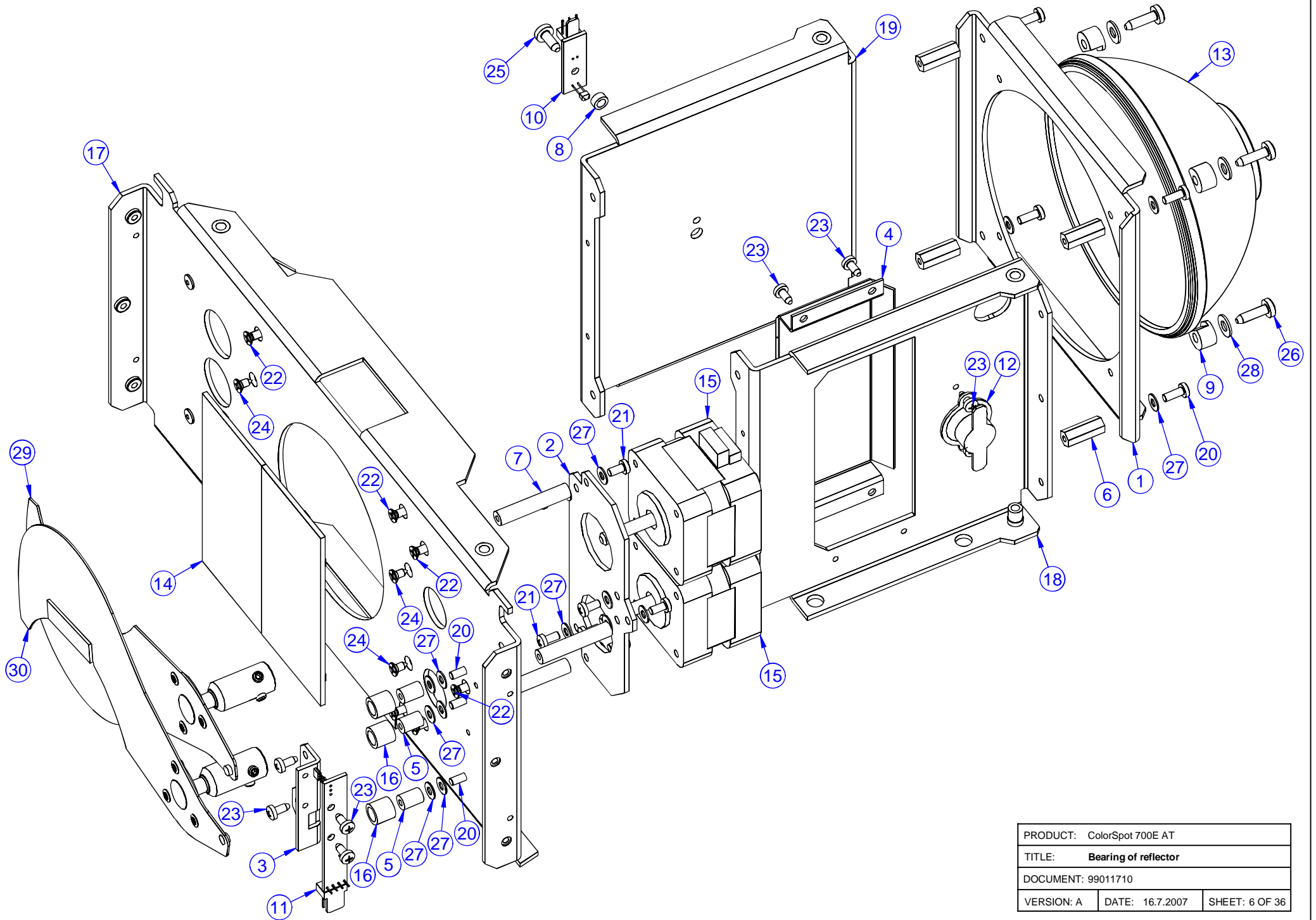
PRODUCT: ColorSpot 700E AT		
TITLE: Assembly of head		
DOCUMENT: 99011775		
VERSION: A	DATE: 16.7.2007	SHEET: 3 OF 36



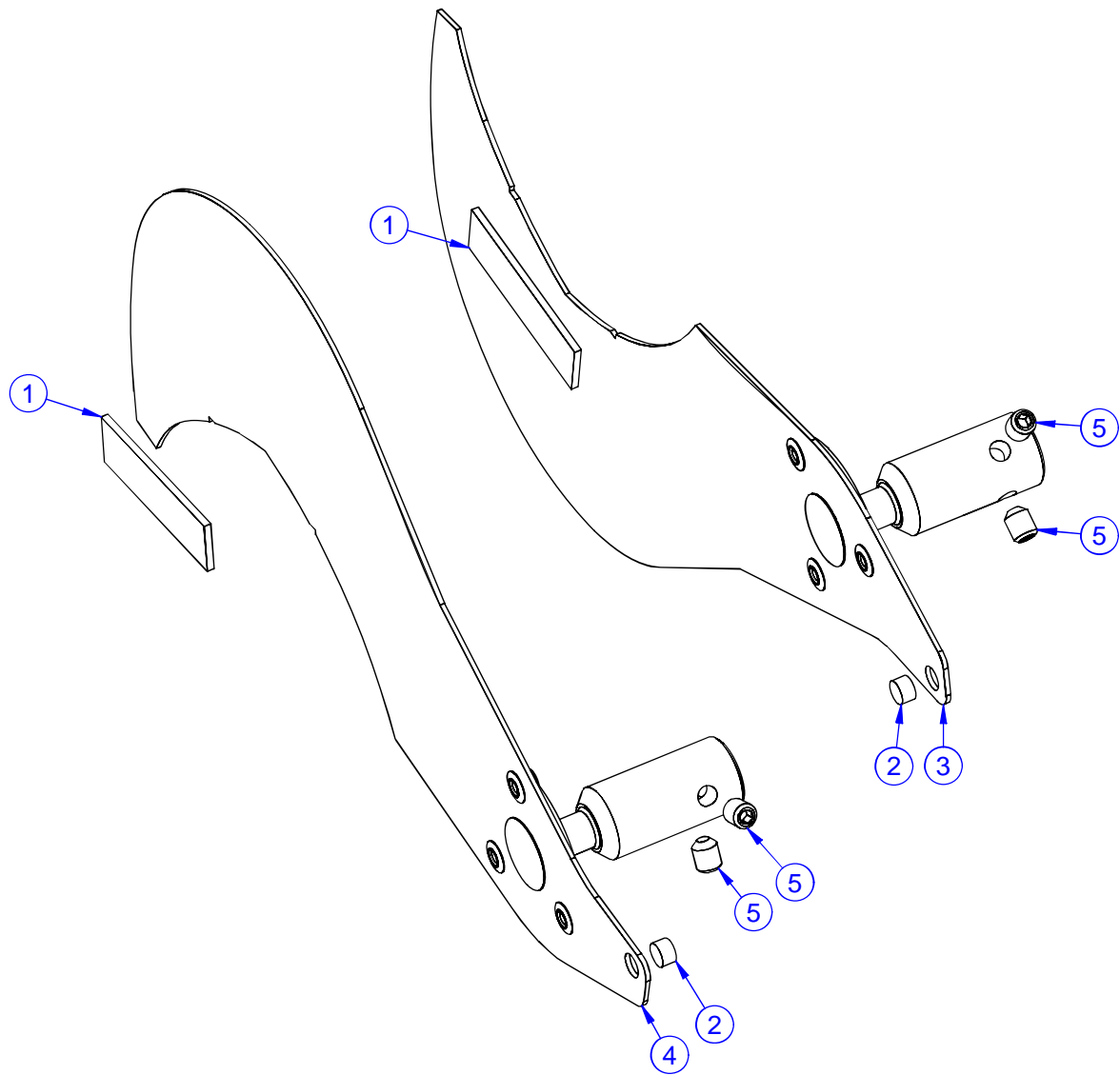
PRODUCT: ColorSpot 700E AT		
TITLE: Holder of fans		
DOCUMENT: 99011775		
VERSION: A	DATE: 16.7.2007	SHEET: 4 OF 36



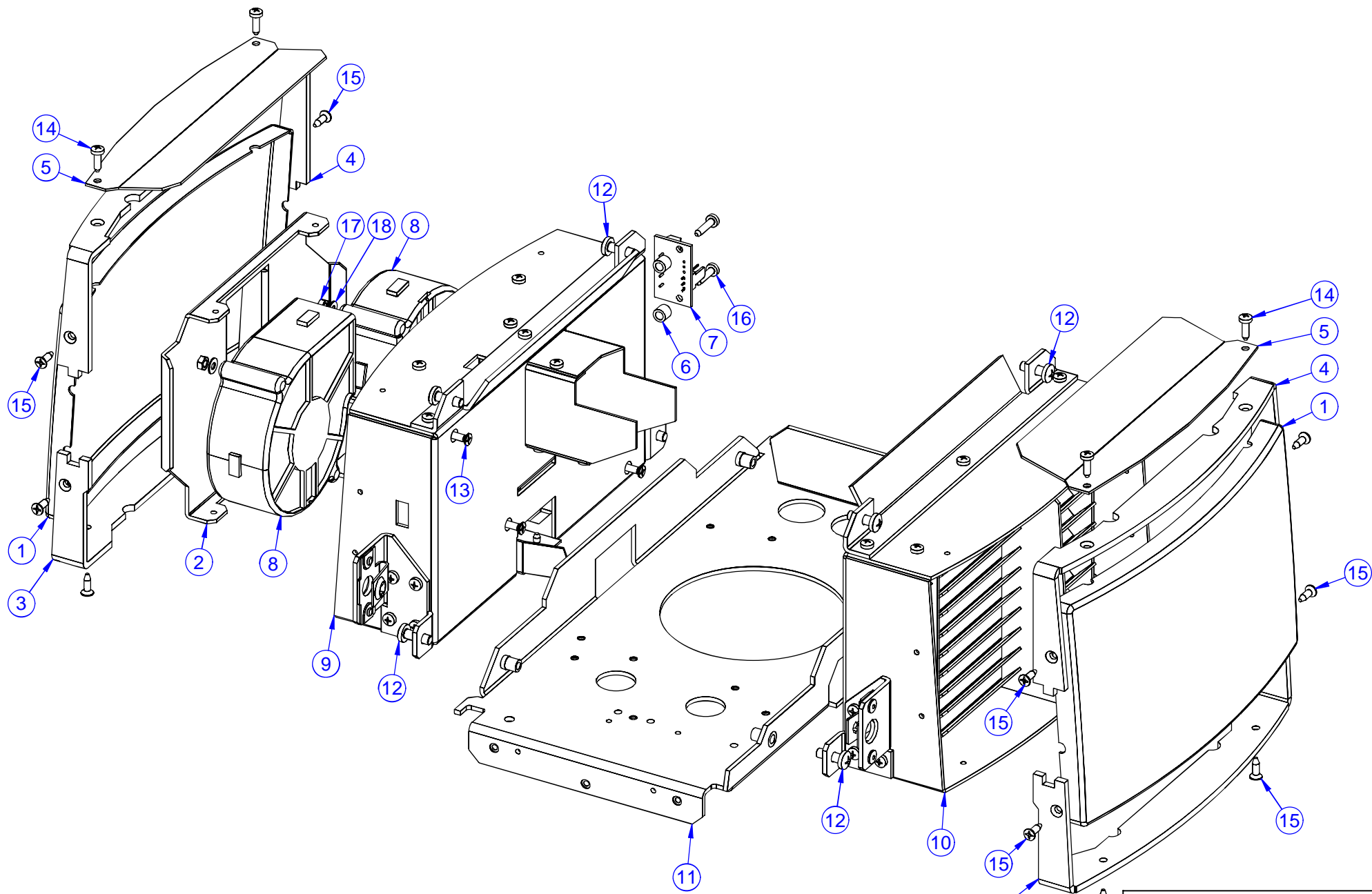
PRODUCT: ColorSpot 700E AT		
TITLE: Source of light		
DOCUMENT: 99011775		
VERSION: A	DATE: 16.7.2007	SHEET: 5 OF 36



PRODUCT: ColorSpot 700E AT		
TITLE: Bearing of reflector		
DOCUMENT: 99011710		
VERSION: A	DATE: 16.7.2007	SHEET: 6 OF 36

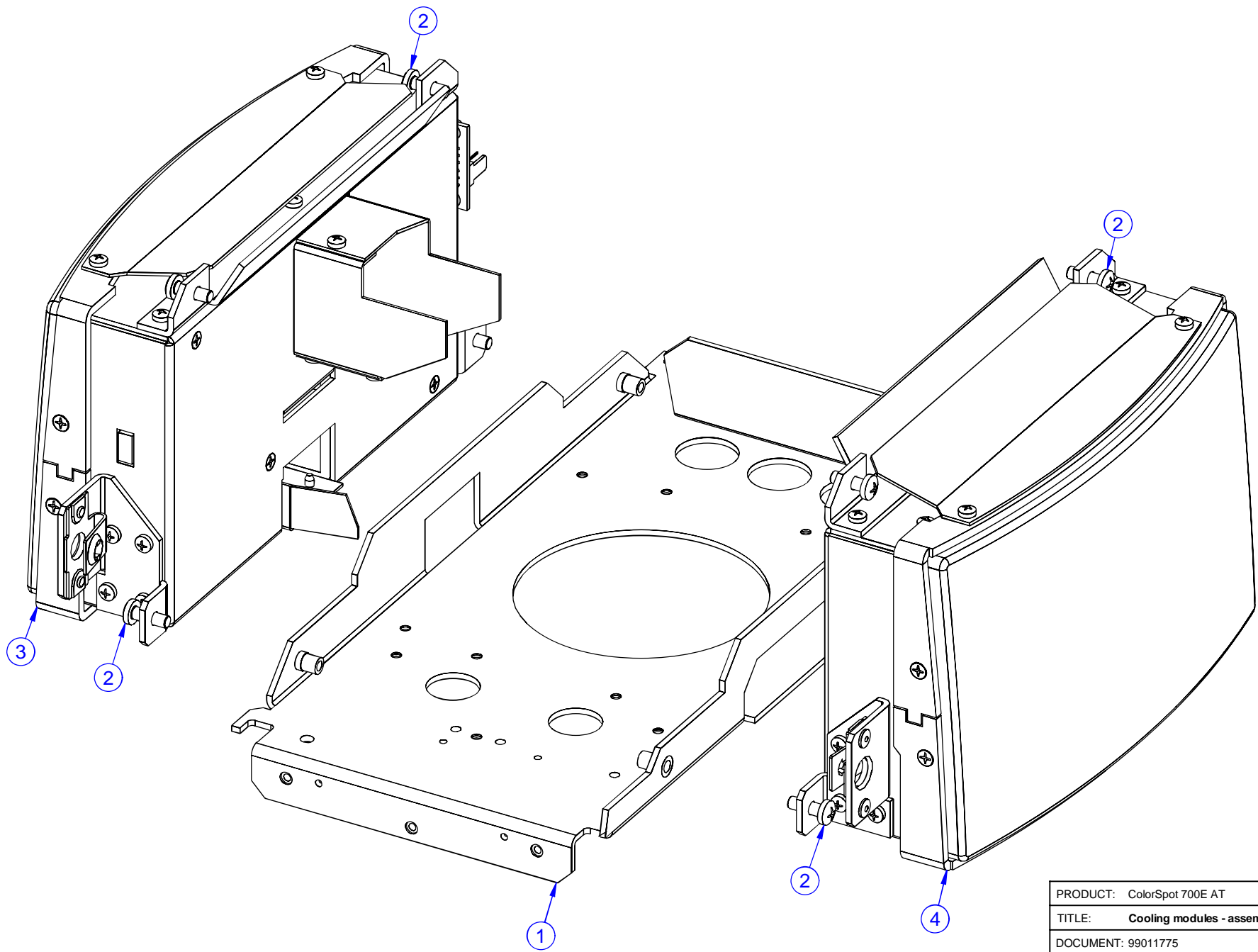


PRODUCT: ColorSpot 700E AT		
TITLE: Lamelle "black out" A, B		
DOCUMENT: 99011710		
VERSION: A	DATE: 16.7.2007	SHEET: 7 OF 36

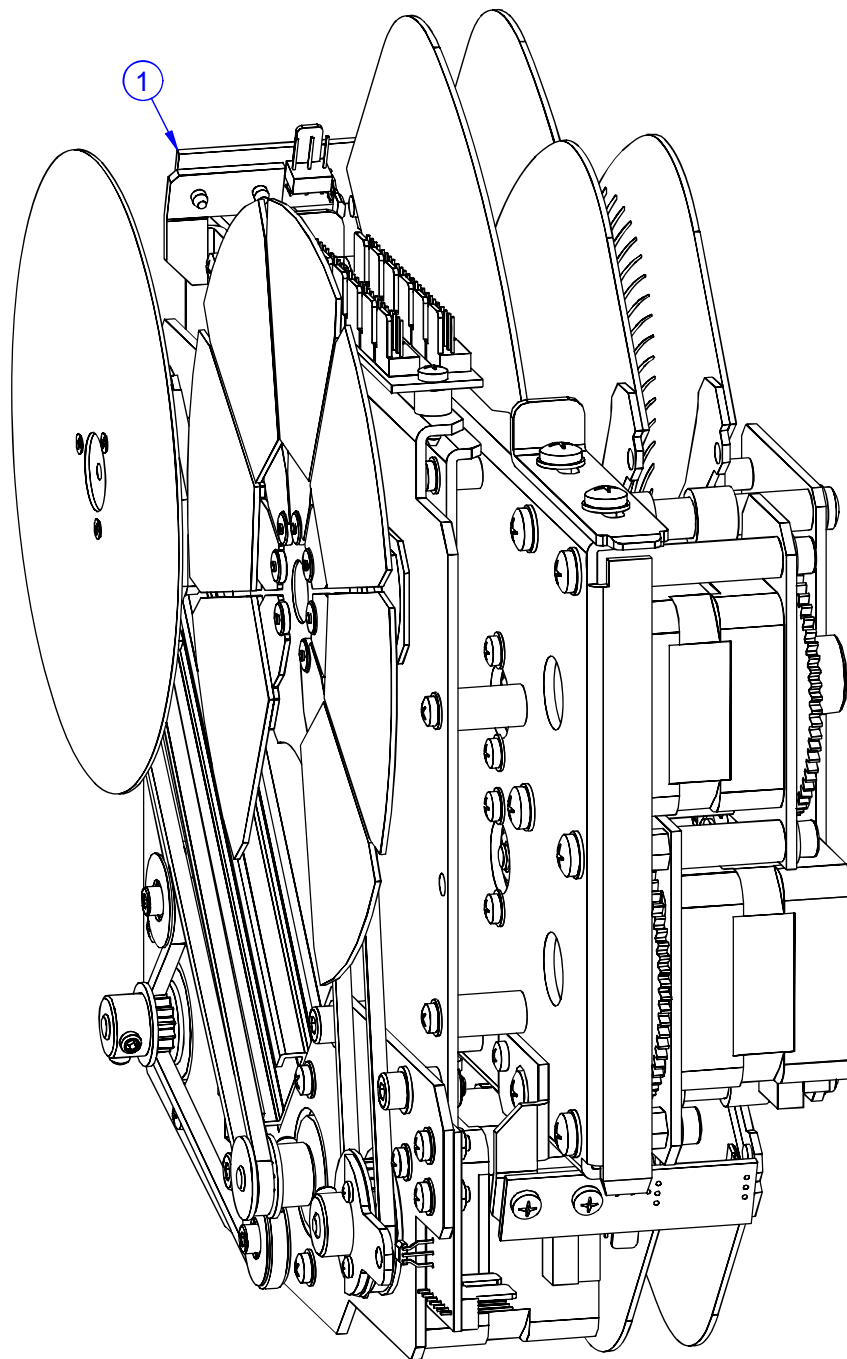


PRODUCT: ColorSpot 700E AT		
TITLE: Cooling modules		
DOCUMENT: 99011775		
VERSION: A	DATE: 16.7.2007	SHEET: 8 OF 36

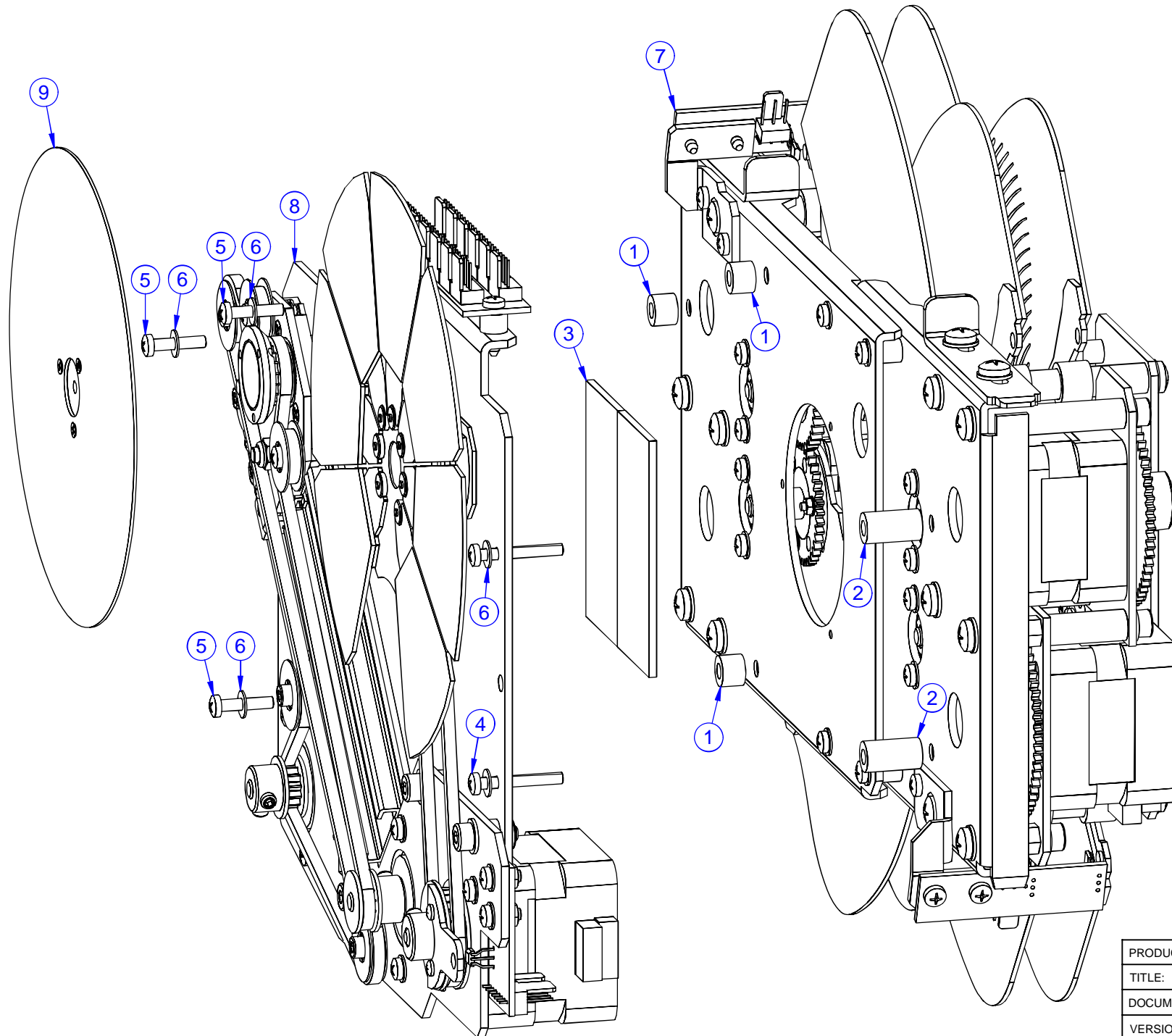




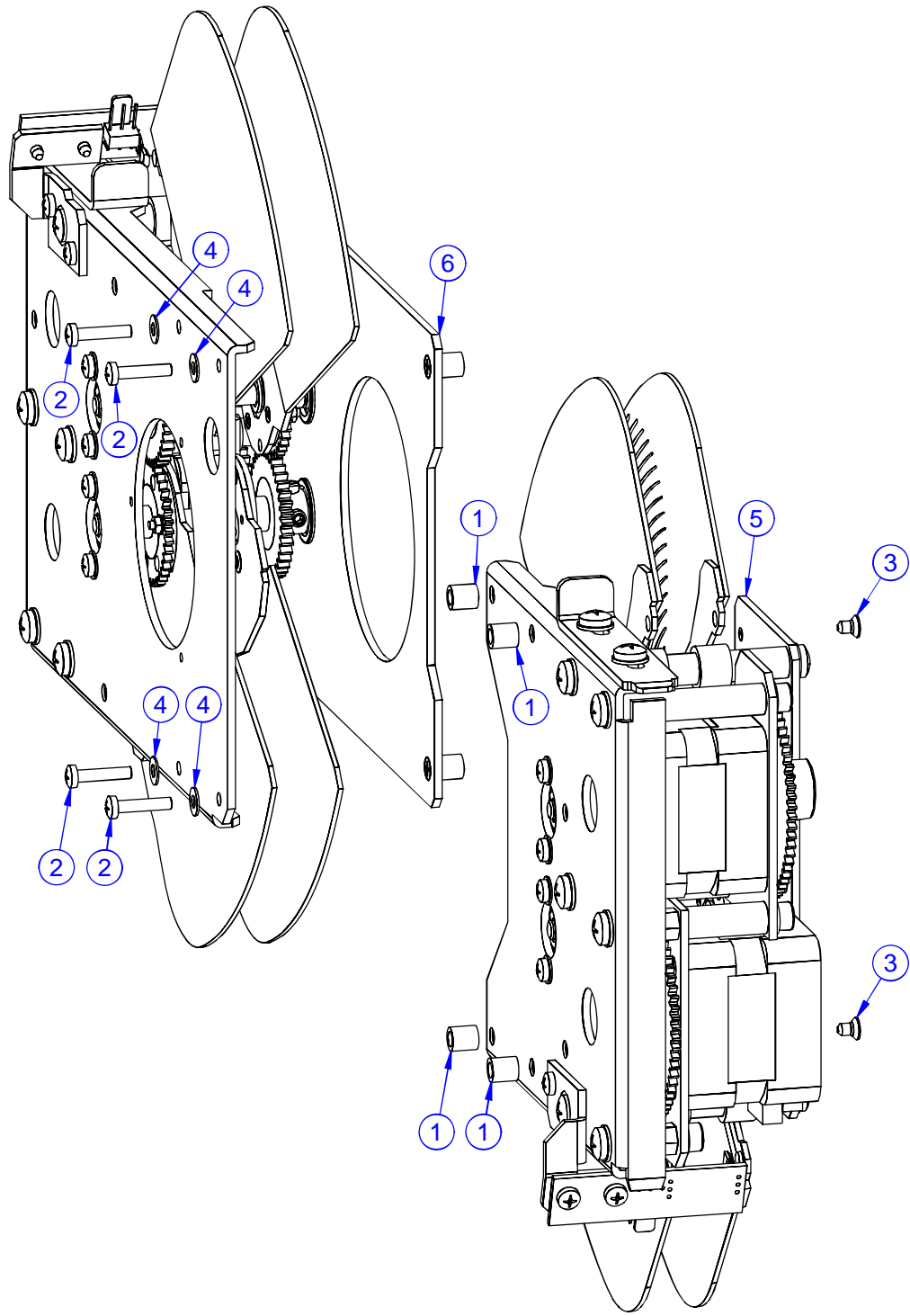
PRODUCT: ColorSpot 700E AT		
TITLE: Cooling modules - assembled		
DOCUMENT: 99011775		
VERSION: A	DATE: 16.7.2007	SHEET: 9 OF 36



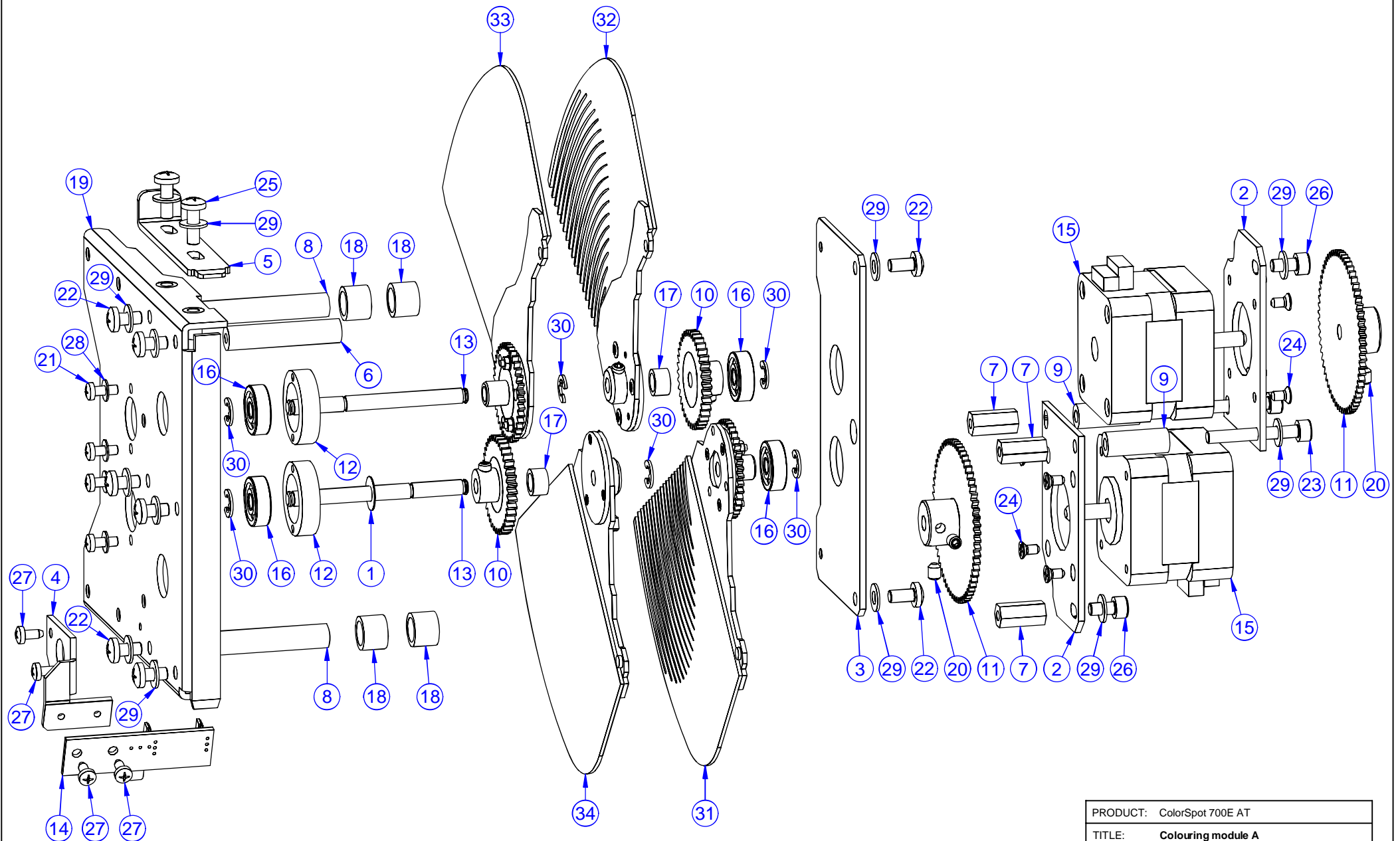
PRODUCT: ColorSpot 700E AT		
TITLE: <b>CMY mking system for CS 700E AT</b>		
DOCUMENT: 99011770		
VERSION: A	DATE: 16.7.2007	SHEET: 10 OF 36



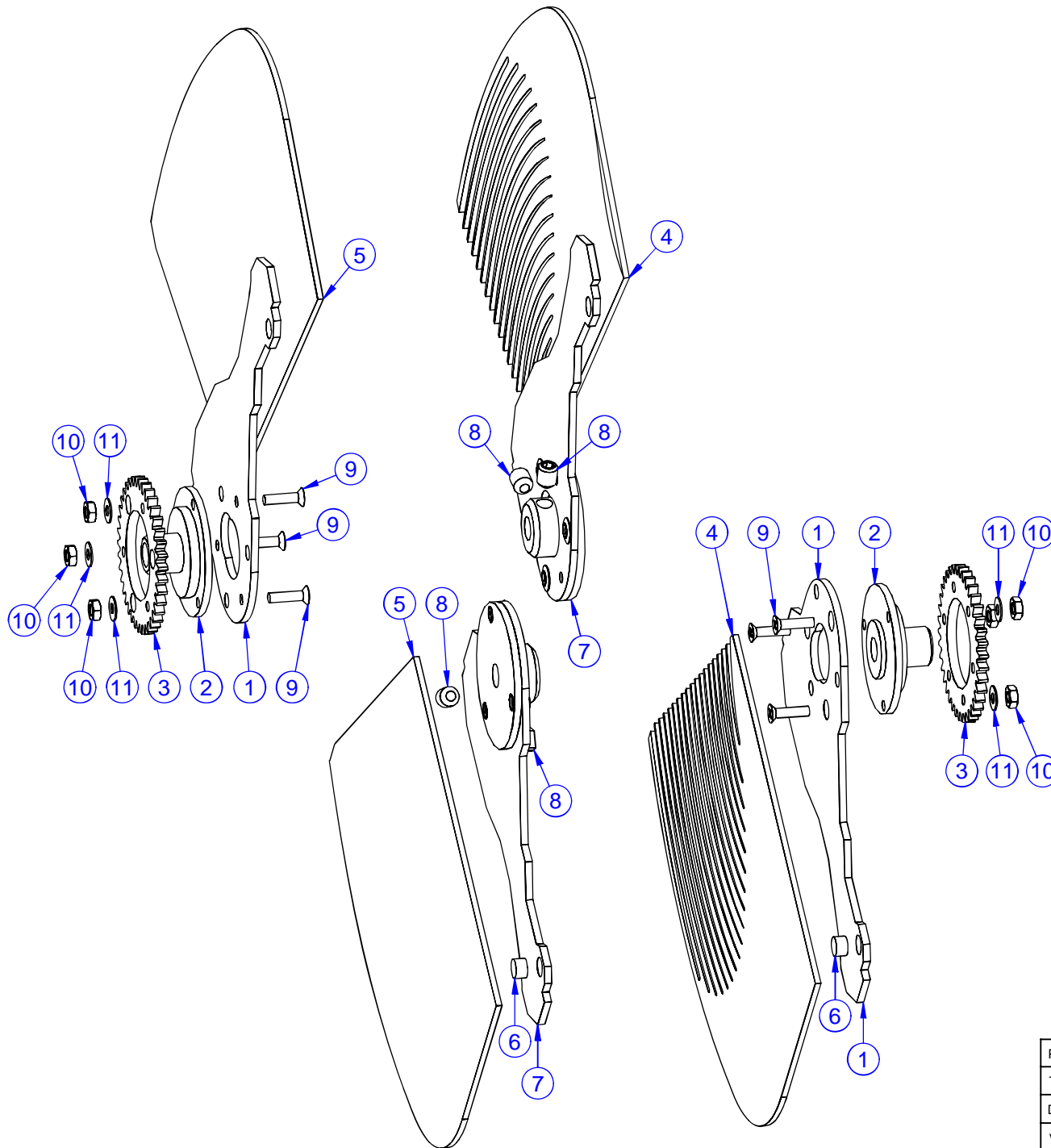
PRODUCT: ColorSpot 700E AT		
TITLE: CMY module, Animation module		
DOCUMENT: 99011770		
VERSION: A	DATE: 16.7.2007	SHEET: 11 OF 36



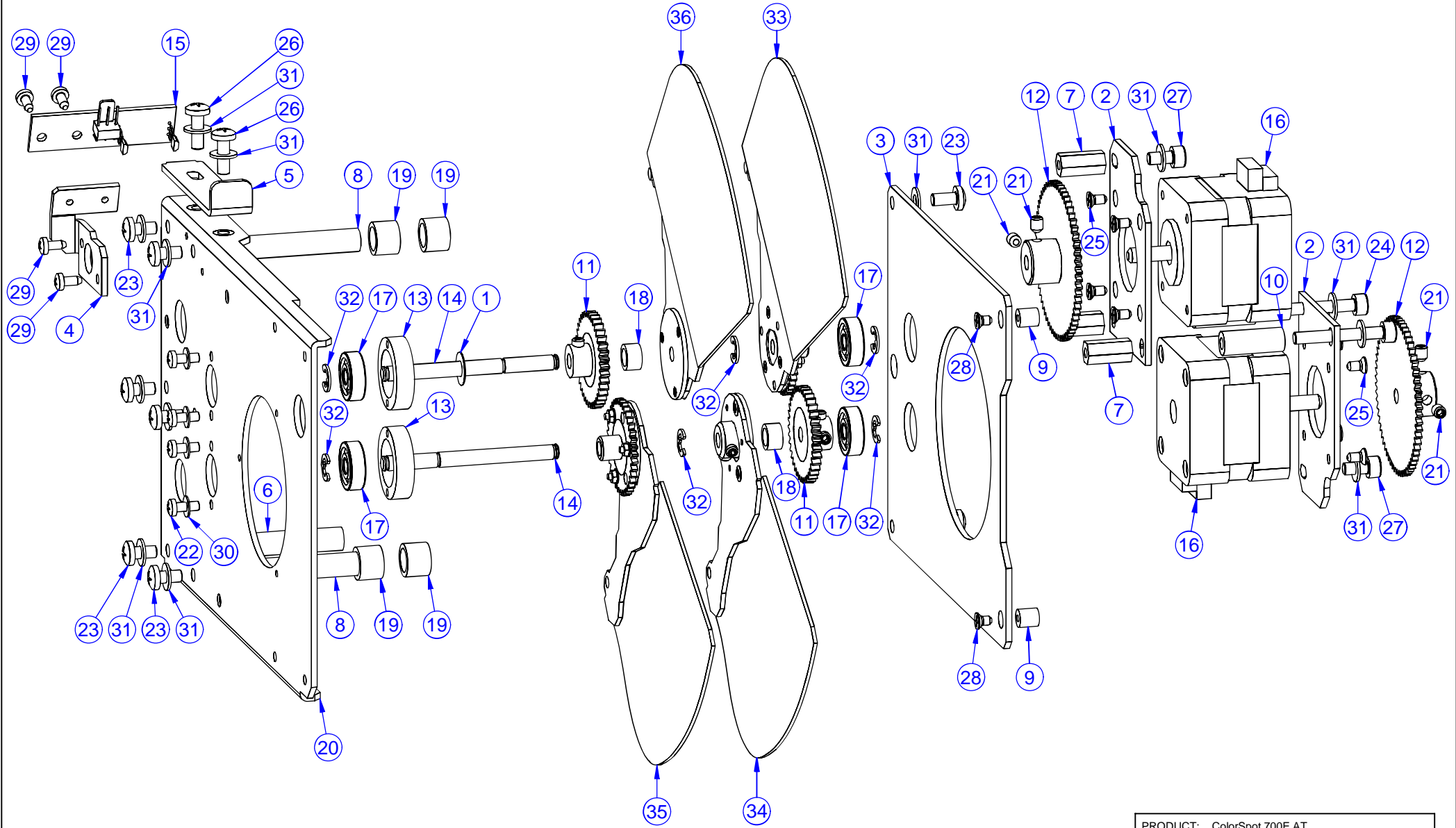
PRODUCT: ColorSpot 700E AT		
TITLE: <b>Colouring module A, B</b>		
DOCUMENT: 99011770		
VERSION: A	DATE: 16.7.2007	SHEET: 12 OF 36



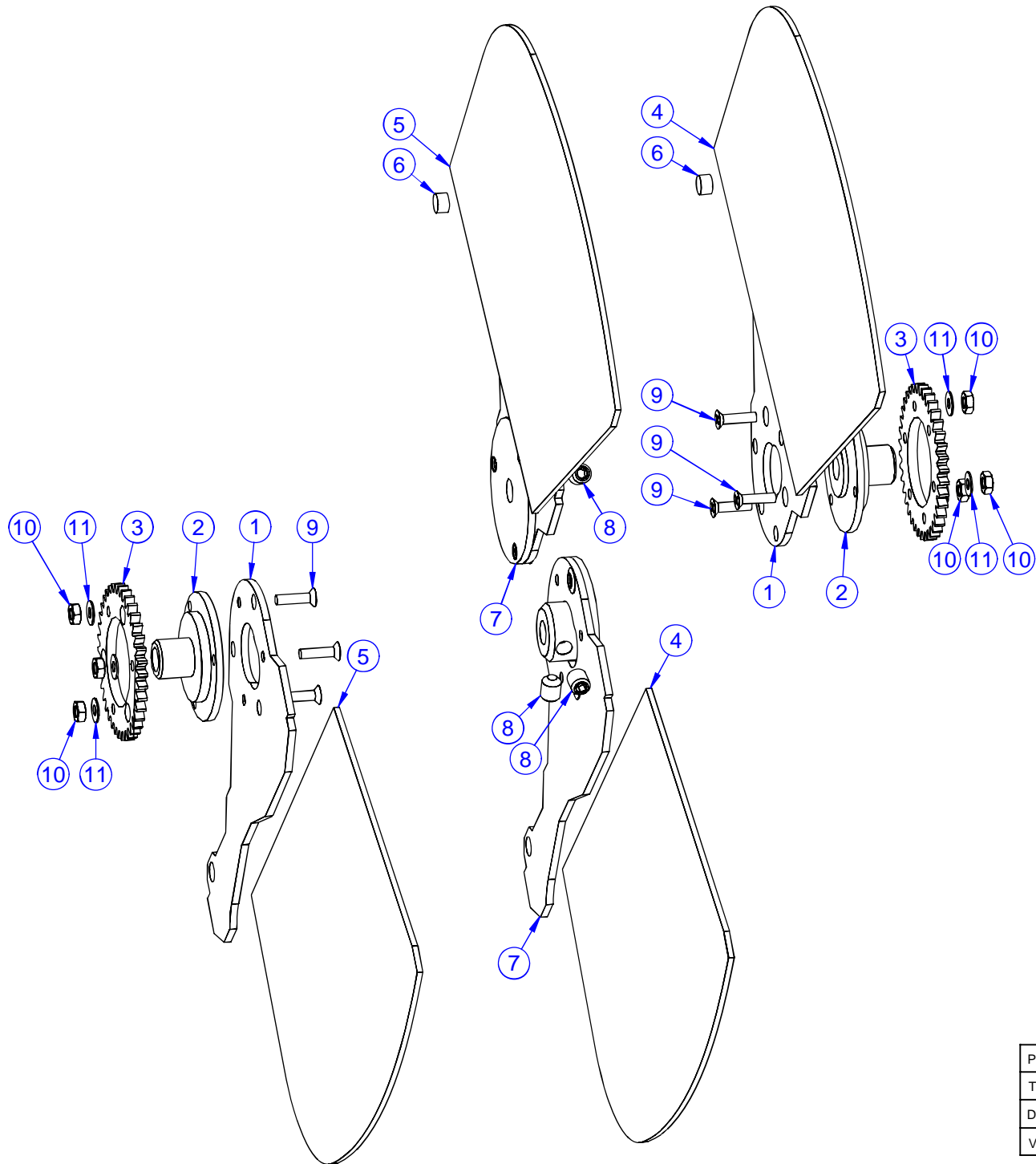
PRODUCT: ColorSpot 700E AT		
TITLE: <b>Colouring module A</b>		
DOCUMENT: 99011753		
VERSION: A	DATE: 16.7.2007	SHEET: 13 OF 36



PRODUCT: ColorSpot 700E AT		
TITLE: <b>Lamelle colouring A</b>		
DOCUMENT: 99011753		
VERSION: A	DATE: 16.7.2007	SHEET: 14 OF 36

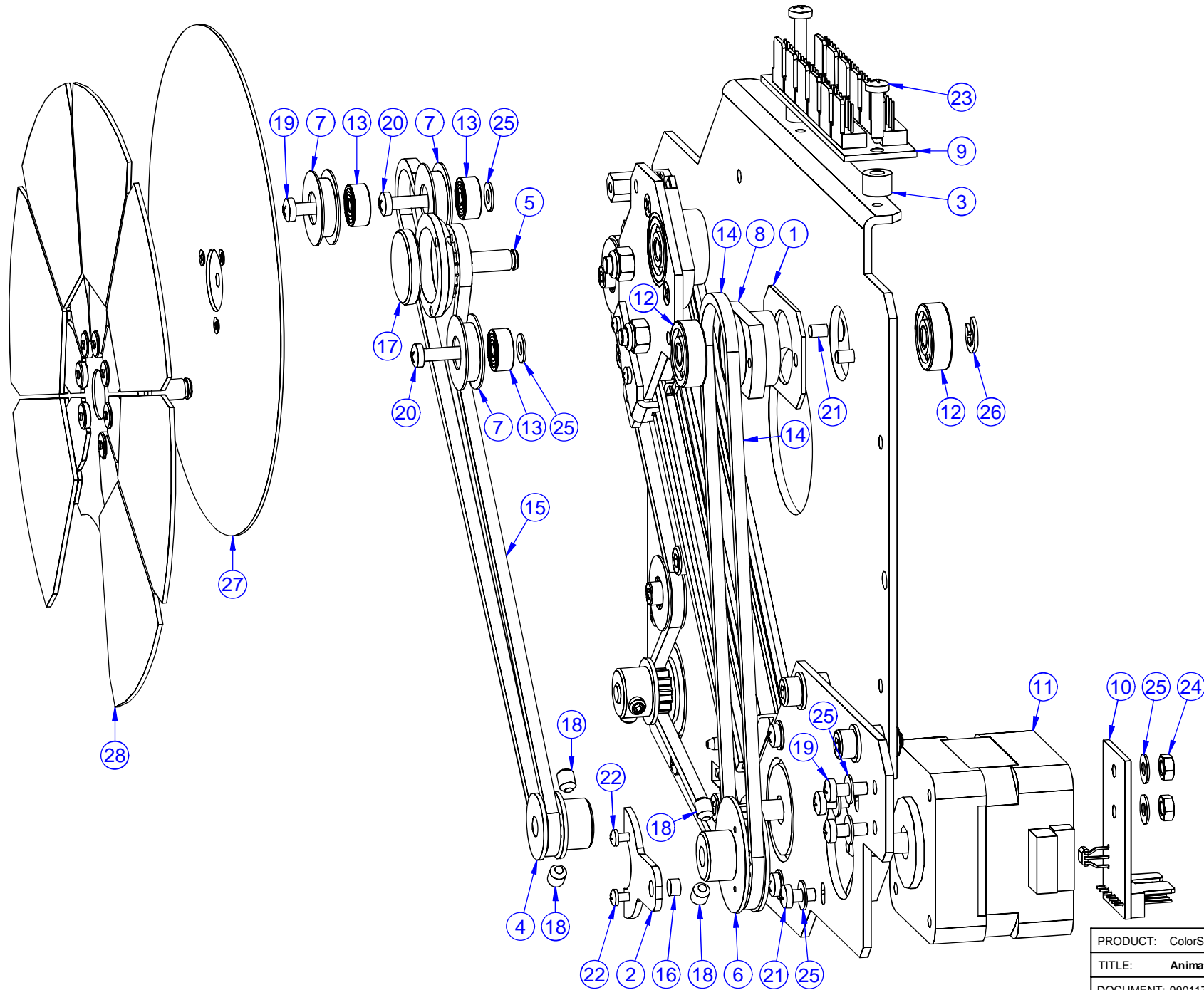


PRODUCT: ColorSpot 700E AT		
TITLE: <b>Colouring module B</b>		
DOCUMENT: 99011754		
VERSION: A	DATE: 16.7.2007	SHEET: 15 OF 36

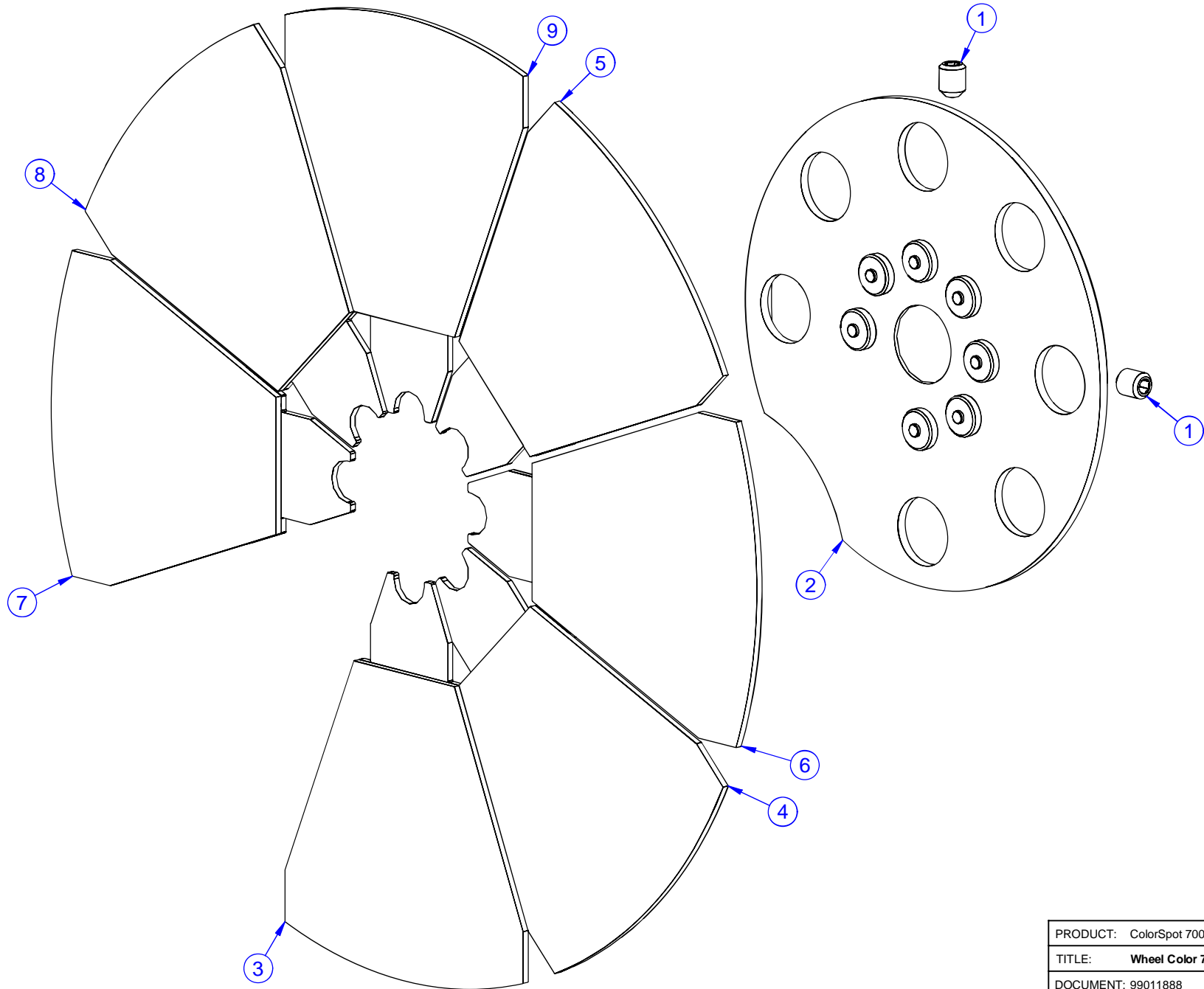


PRODUCT: ColorSpot 700E AT		
TITLE: <b>Lamelle colouring B</b>		
DOCUMENT: 99011754		
VERSION: A	DATE: 16.7.2007	SHEET: 16 OF 36

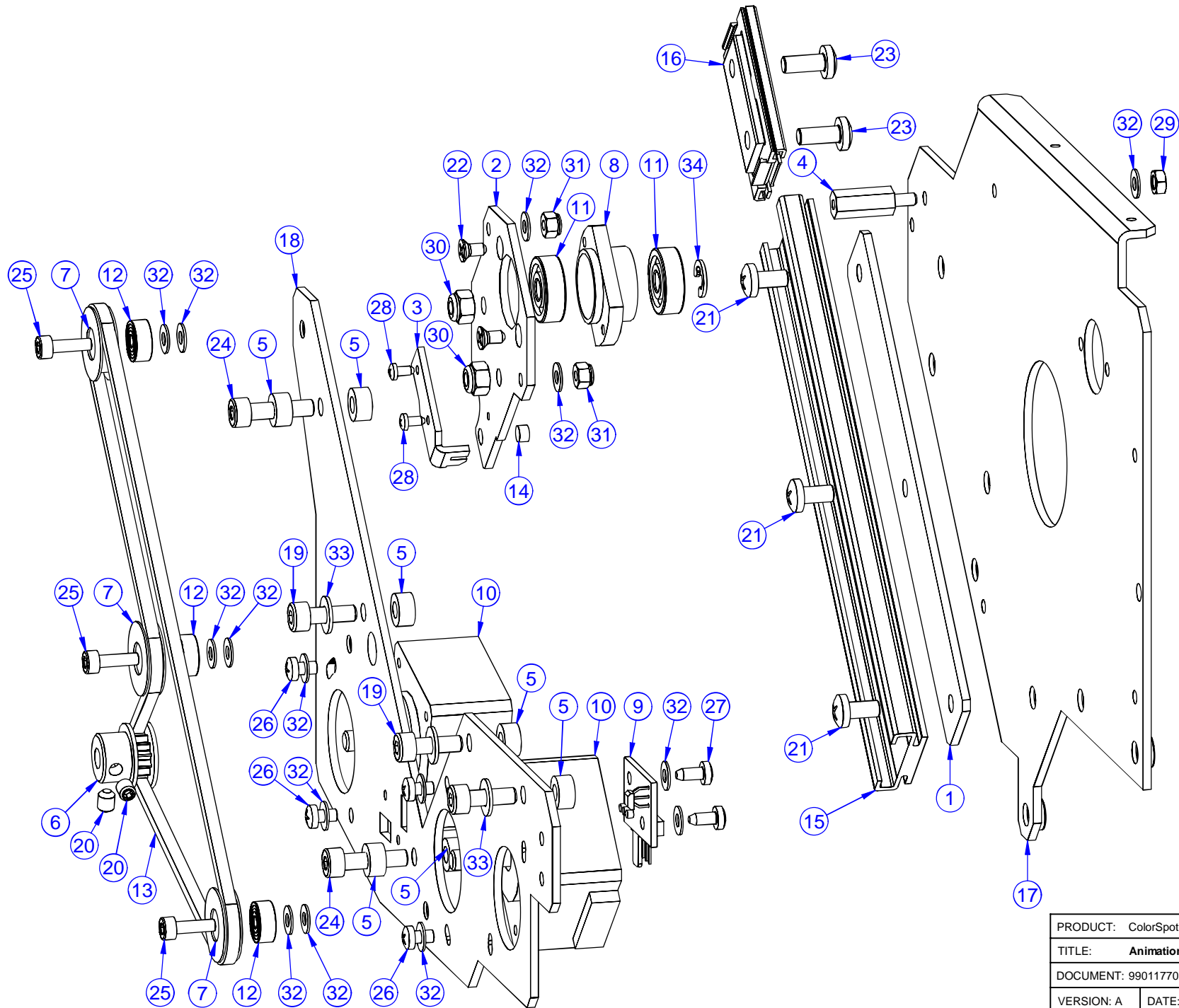




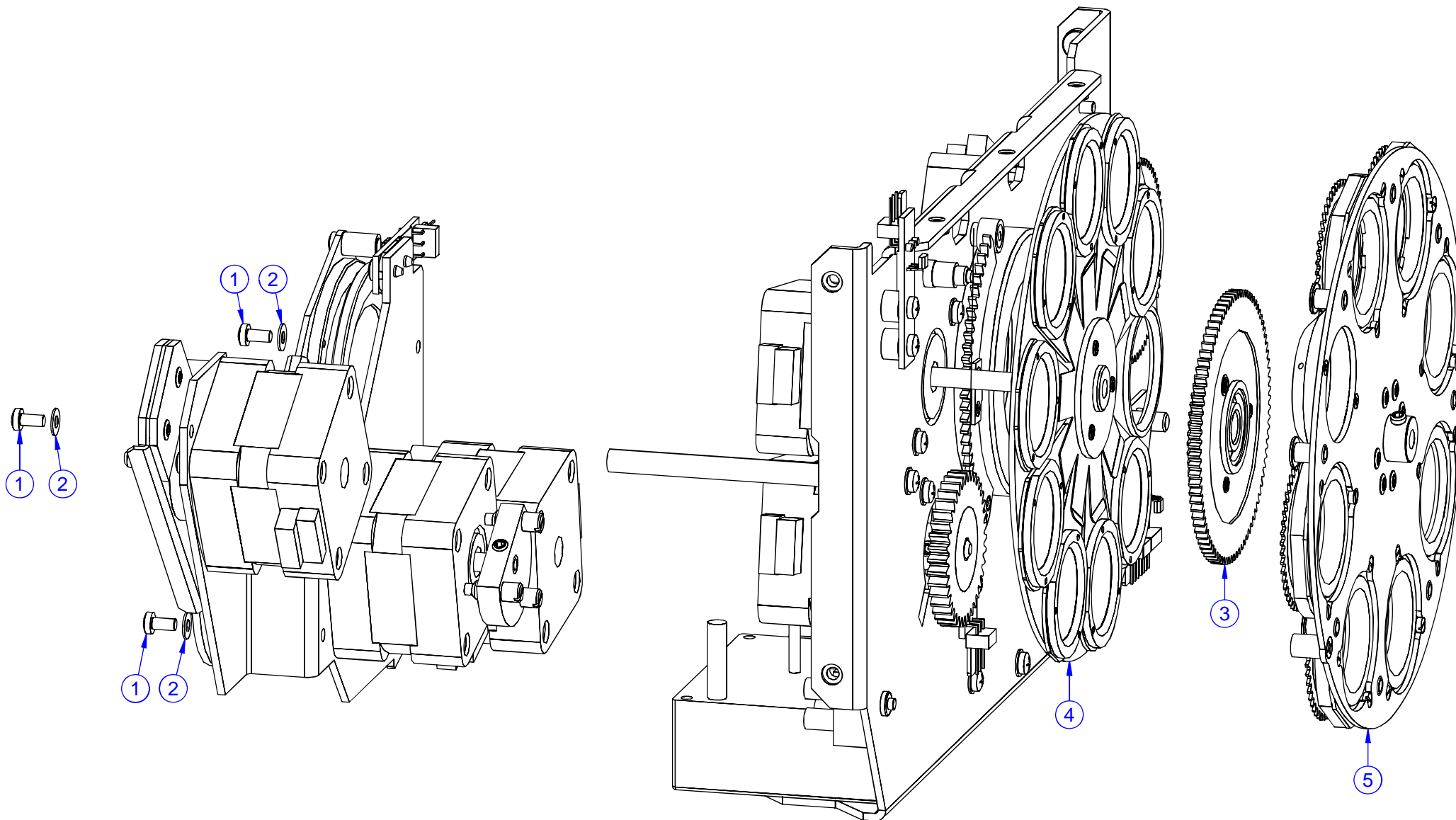
PRODUCT: ColorSpot 700E AT		
TITLE: Animation module part 1		
DOCUMENT: 99011770		
VERSION: A	DATE: 16.7.2007	SHEET: 17 OF 36



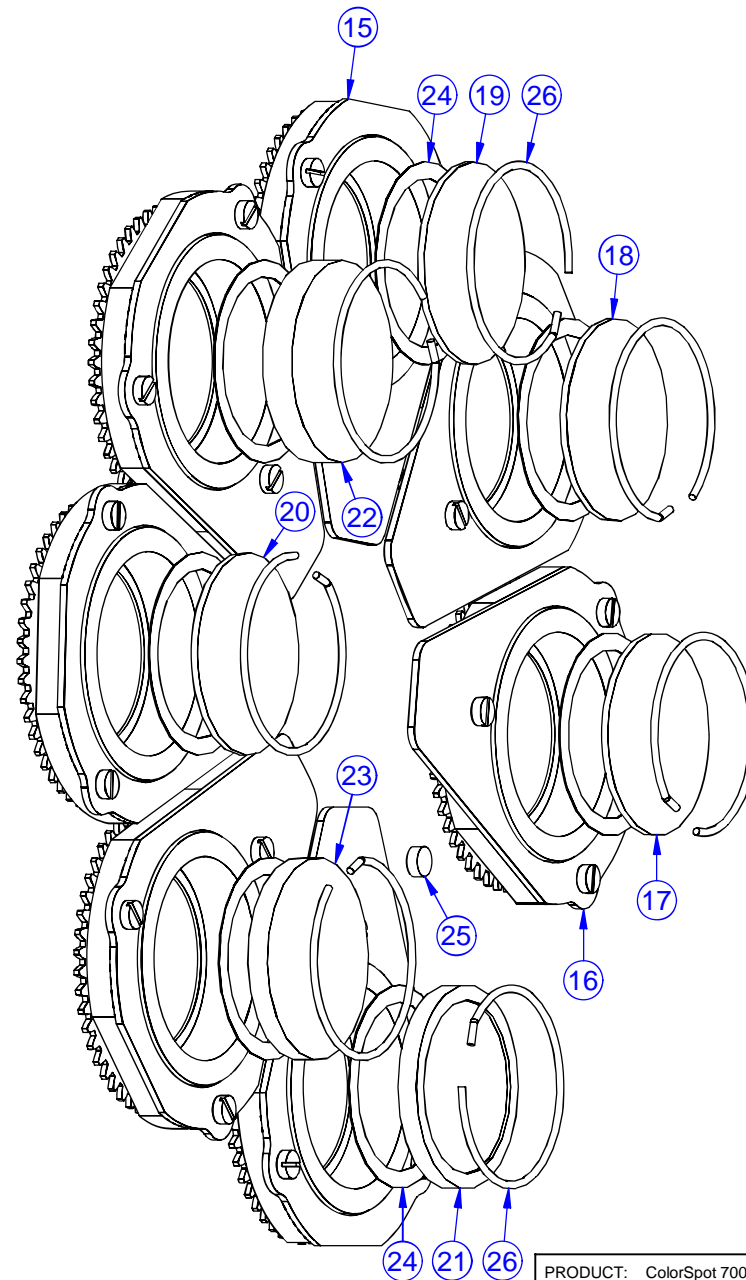
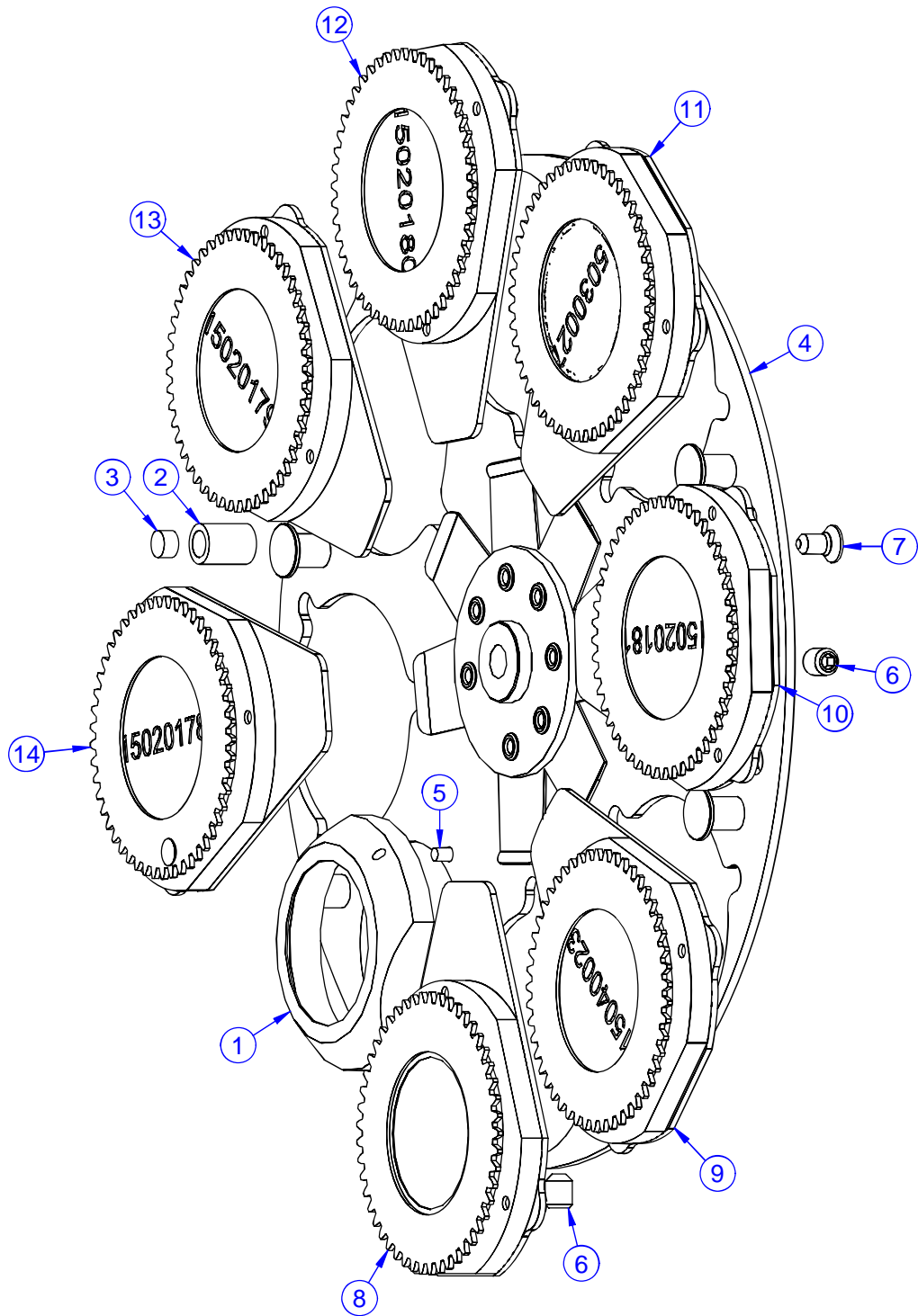
PRODUCT: ColorSpot 700E AT		
TITLE: <b>Wheel Color 7+1 assembled</b>		
DOCUMENT: 99011888		
VERSION: A	DATE: 16.7.2007	SHEET: 18 OF 36



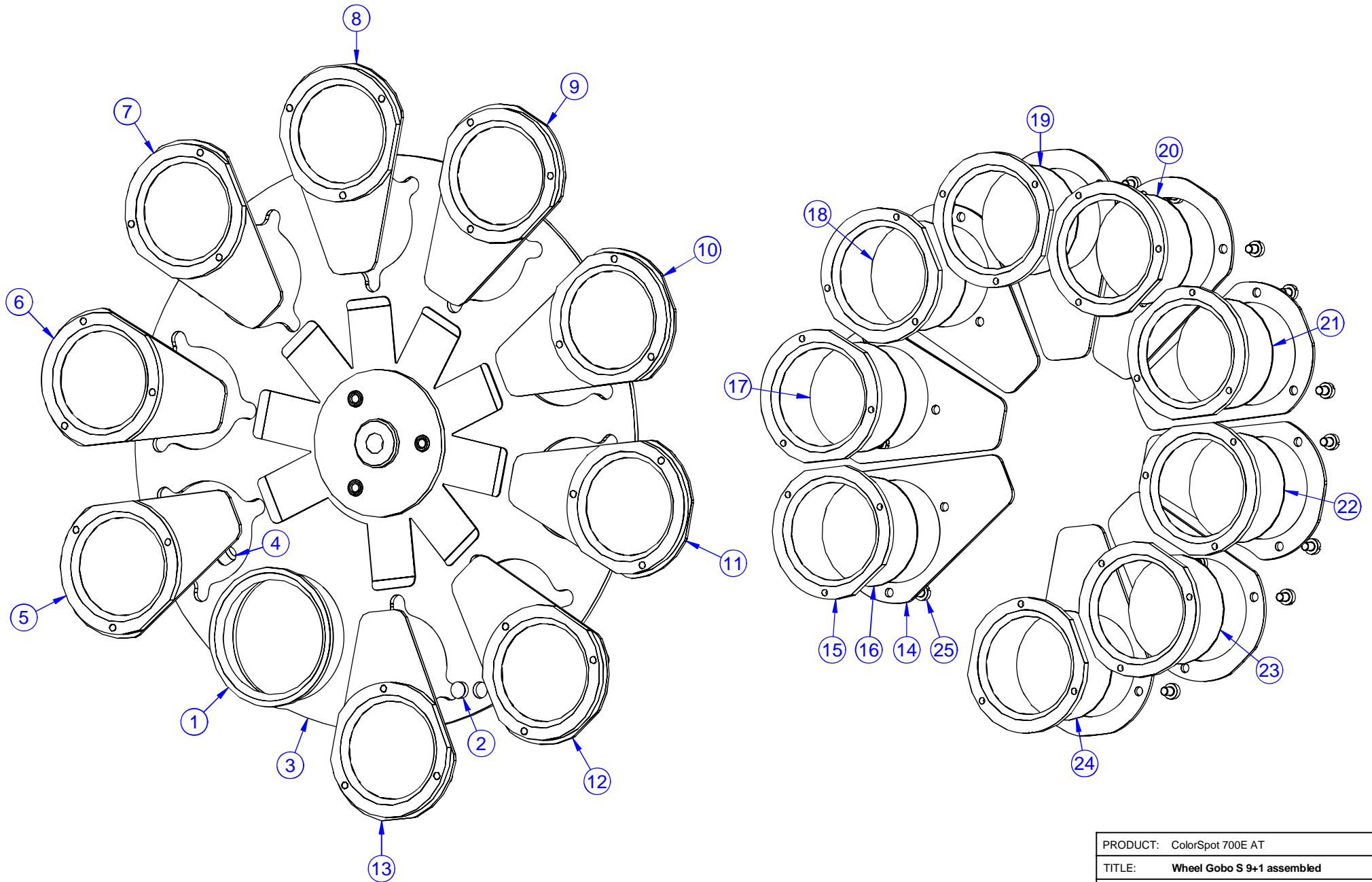
PRODUCT: ColorSpot 700E AT		
TITLE: Animation module part 2		
DOCUMENT: 99011770		
VERSION: A	DATE: 16.7.2007	SHEET: 19 OF 36



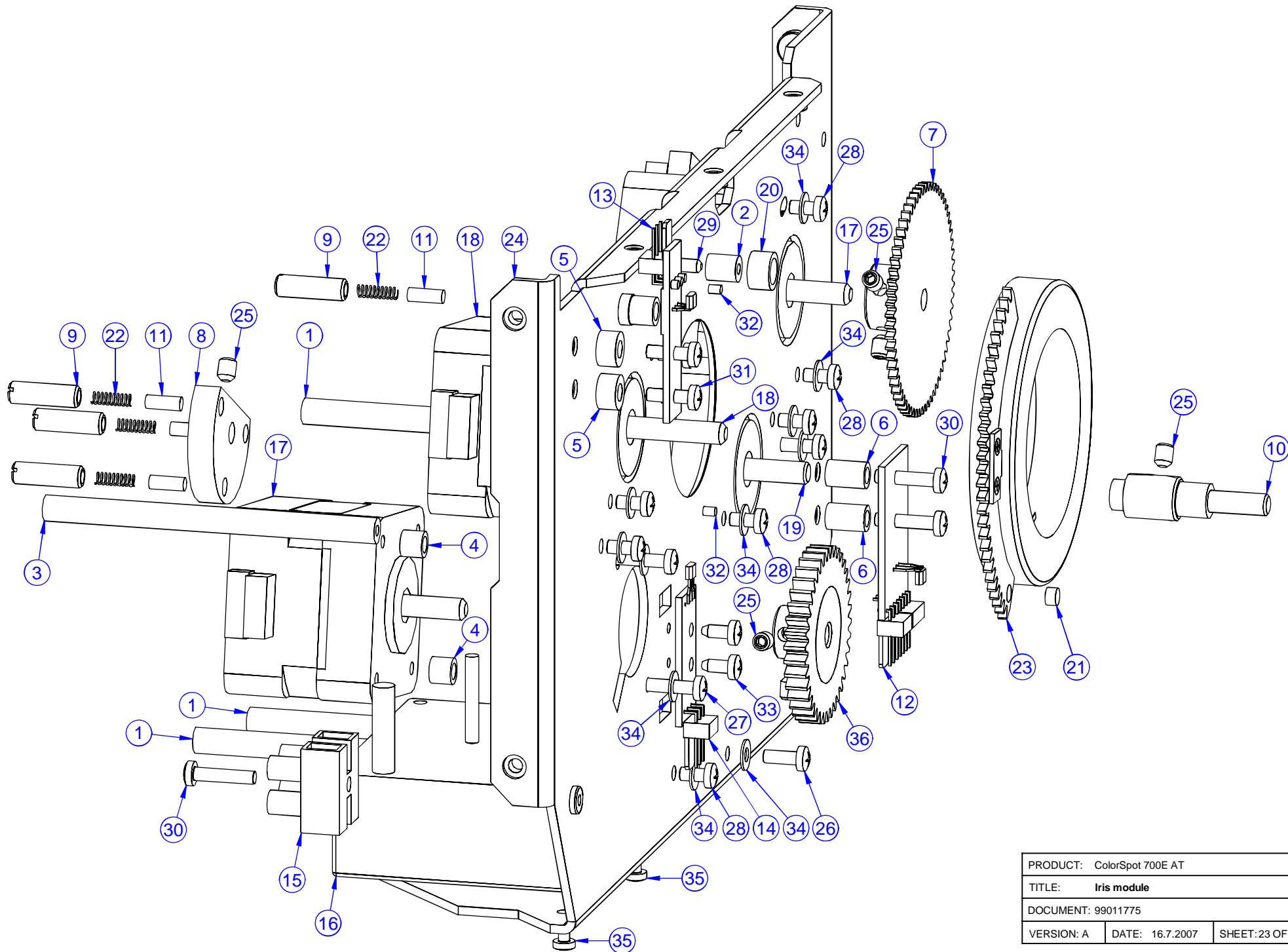
PRODUCT: ColorSpot 700E AT		
TITLE: Gripping - module Prism to Iris module		
DOCUMENT: 99011775		
VERSION: A	DATE: 16.7.2007	SHEET: 20 OF 36



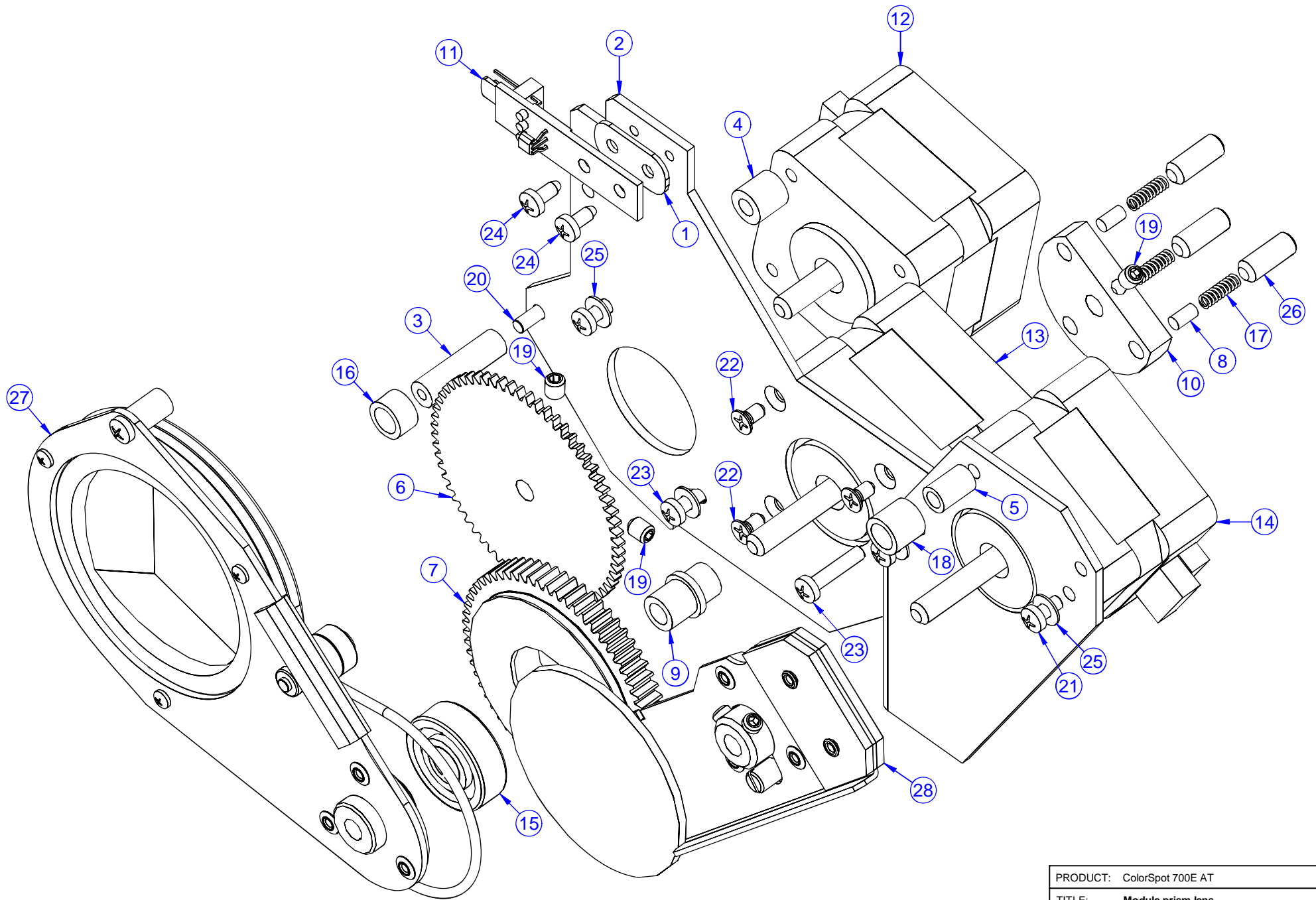
PRODUCT: ColorSpot 700E AT		
TITLE: Wheel RG 7+1 assembled		
DOCUMENT: 99011738		
VERSION: A	DATE: 16.7.2007	SHEET: 21 OF 36



PRODUCT: ColorSpot 700E AT		
TITLE: <b>Wheel Gobo S 9+1 assembled</b>		
DOCUMENT: 99011730		
VERSION: A	DATE: 16.7.2007	SHEET: 22 OF 36

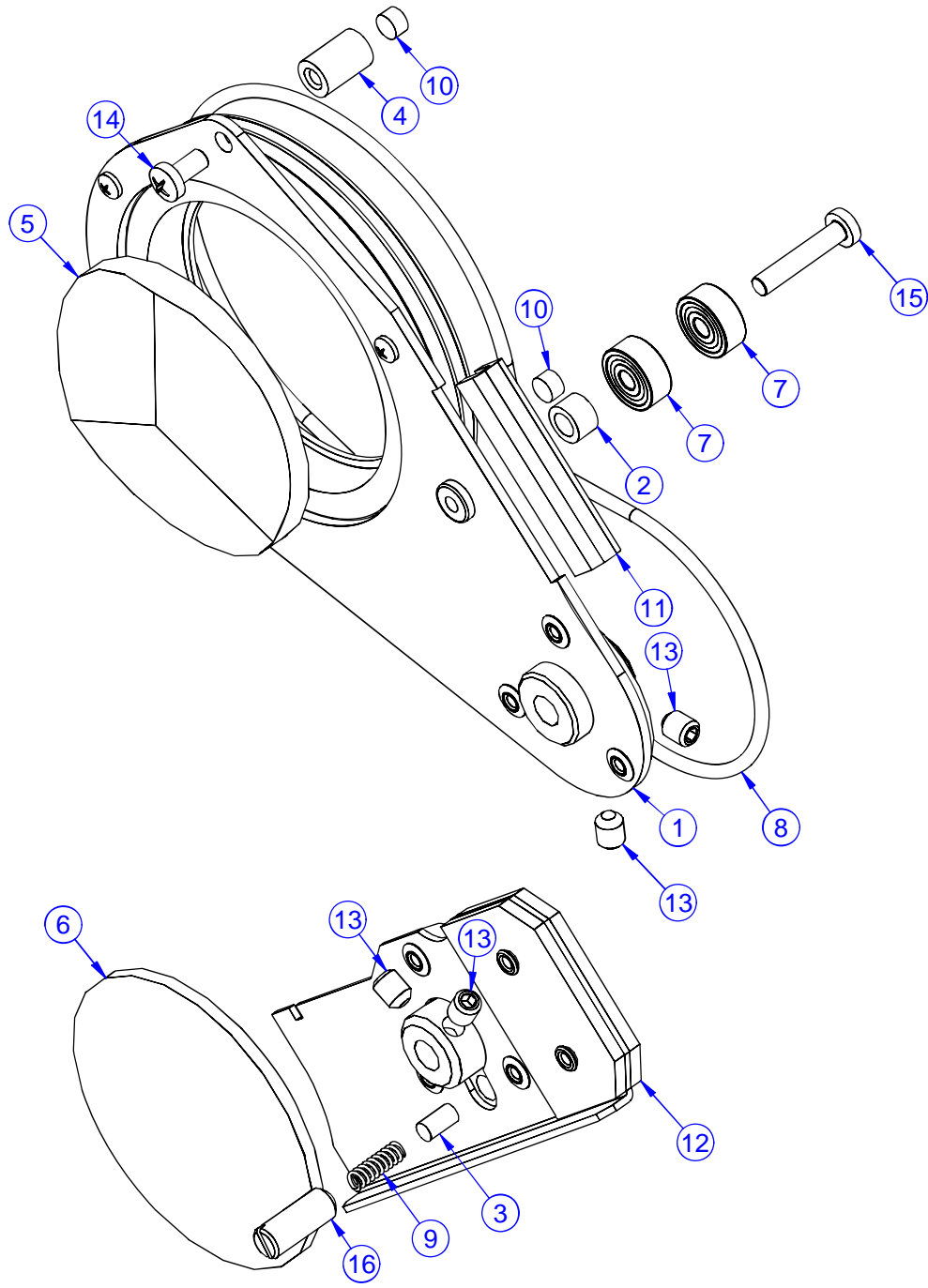


PRODUCT: ColorSpot 700E AT		
TITLE: Iris module		
DOCUMENT: 99011775		
VERSION: A	DATE: 16.7.2007	SHEET: 23 OF 36

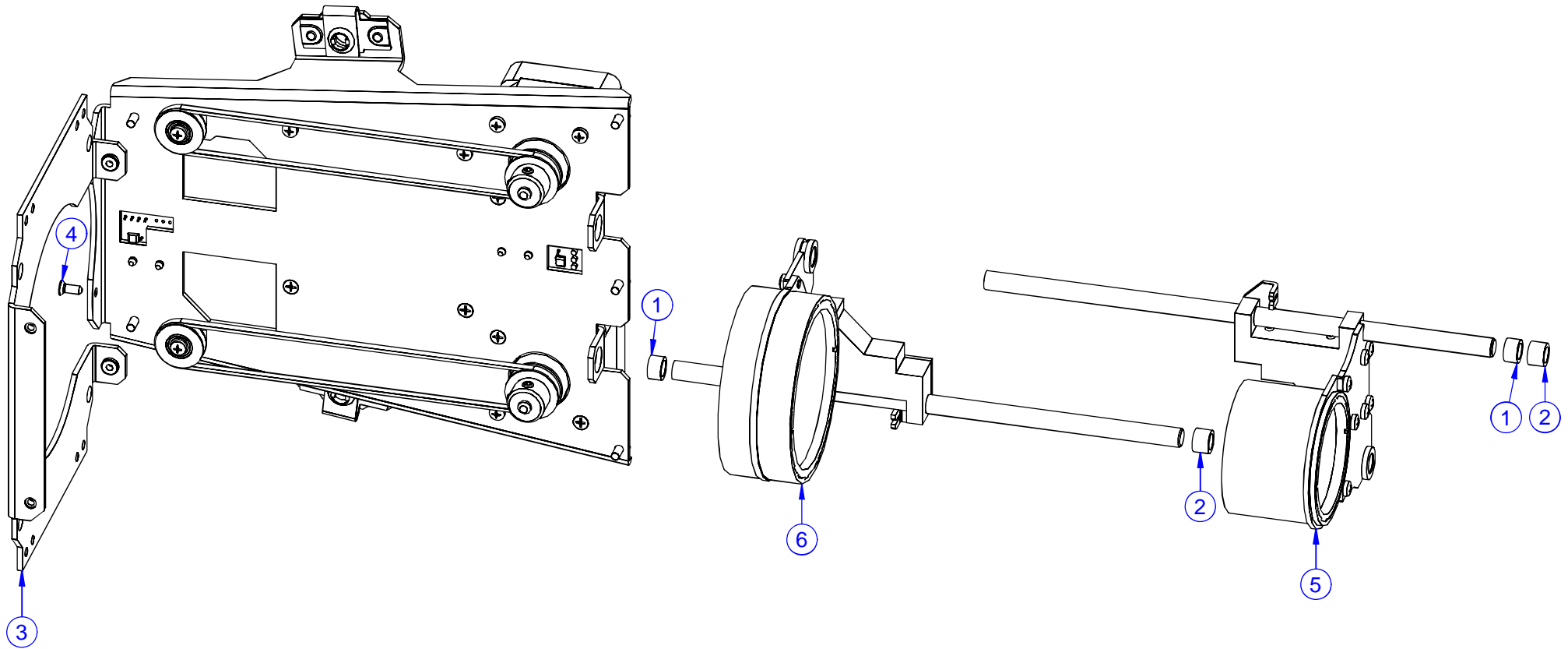


PRODUCT: ColorSpot 700E AT		
TITLE: <b>Module prism lens</b>		
DOCUMENT: 99011775		
VERSION: A	DATE: 16.7.2007	SHEET: 24 OF 36

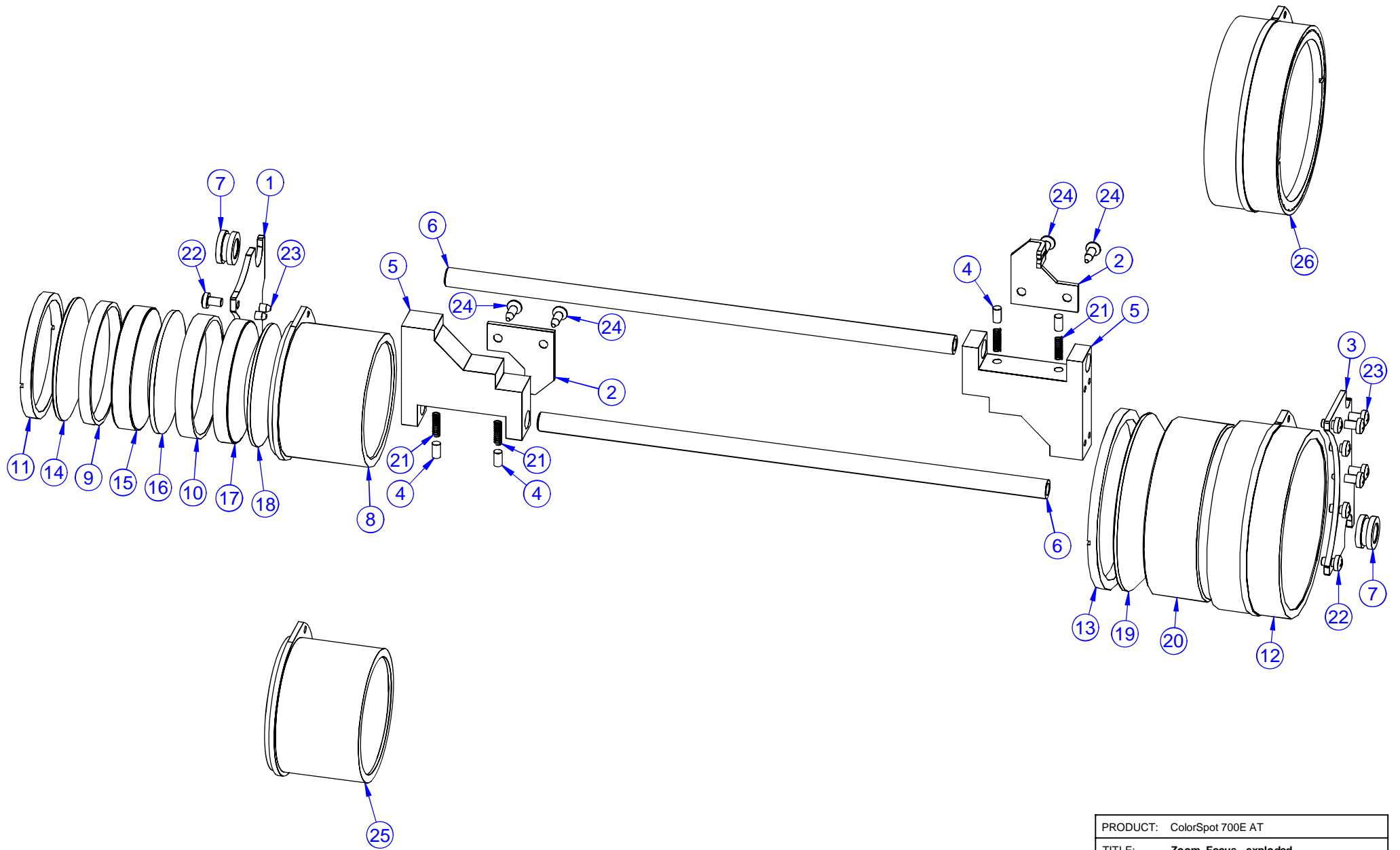




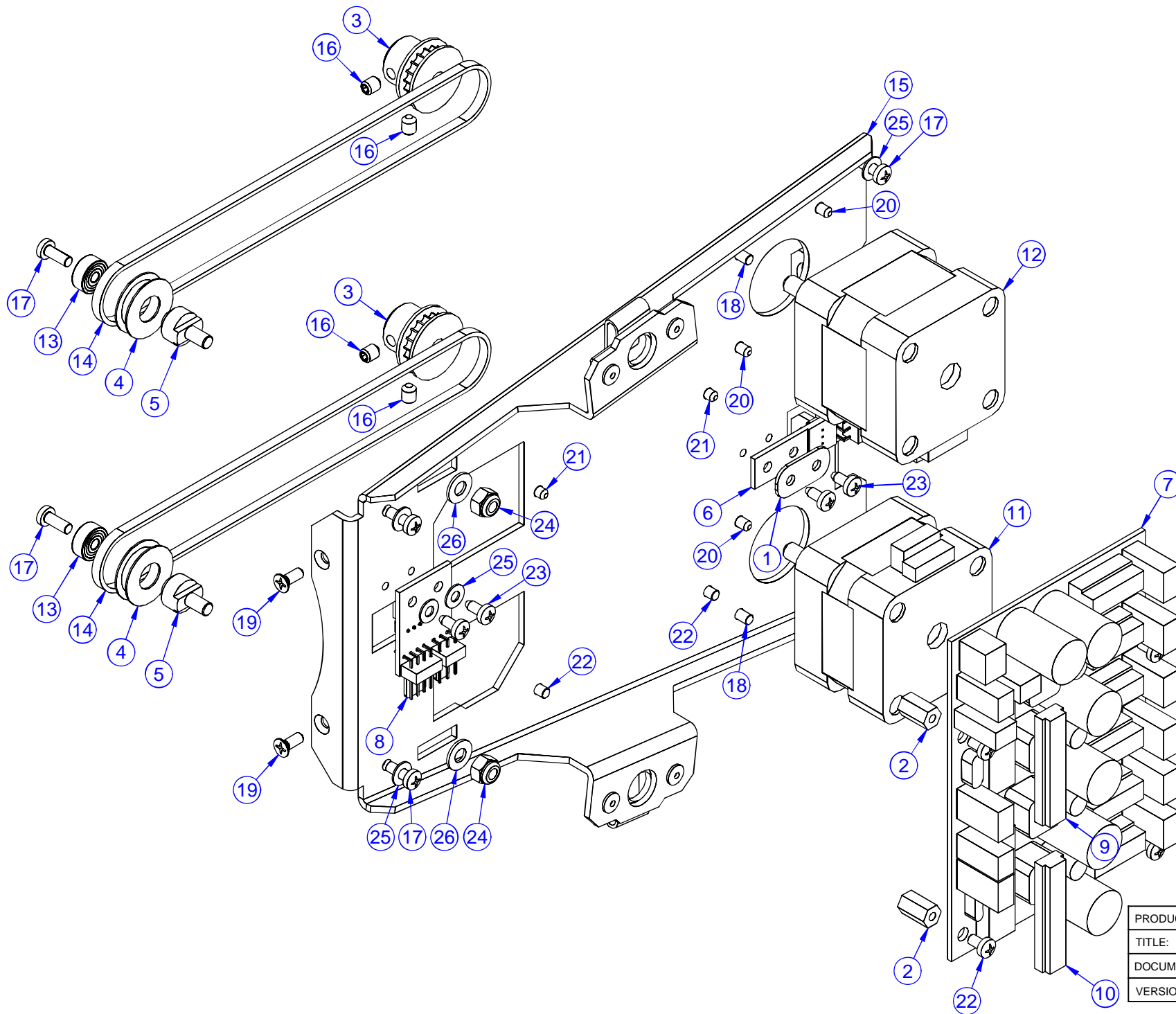
PRODUCT: ColorSpot 700E AT		
TITLE: Prism, Frost - exploded		
DOCUMENT: 99011716		
VERSION: A	DATE: 16.7.2007	SHEET: 25 OF 36



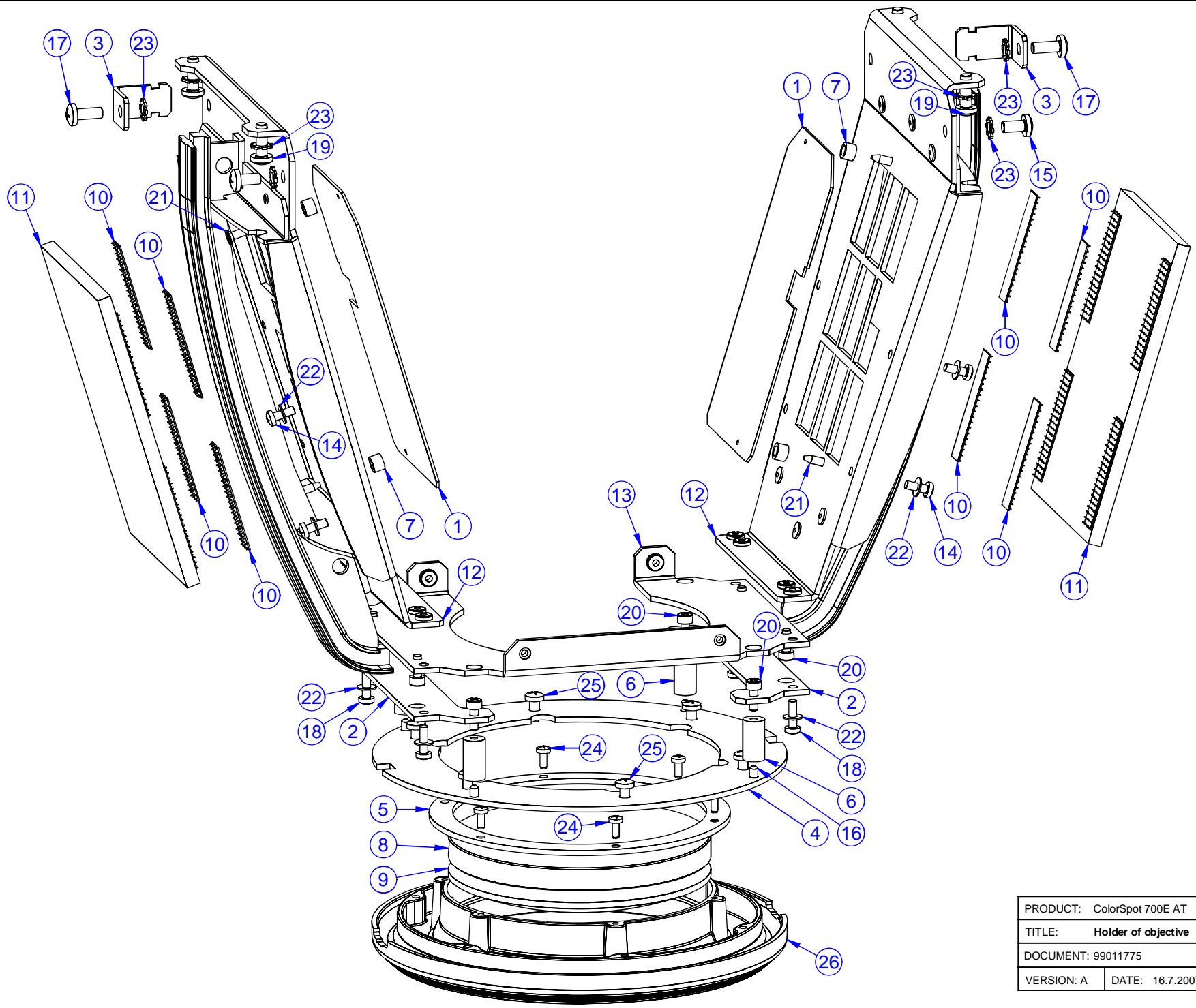
PRODUCT: ColorSpot 700E AT		
TITLE: <b>Gripping Zoom, Focus</b>		
DOCUMENT: 99011775		
VERSION: A	DATE: 16.7.2007	SHEET: 26 OF 36



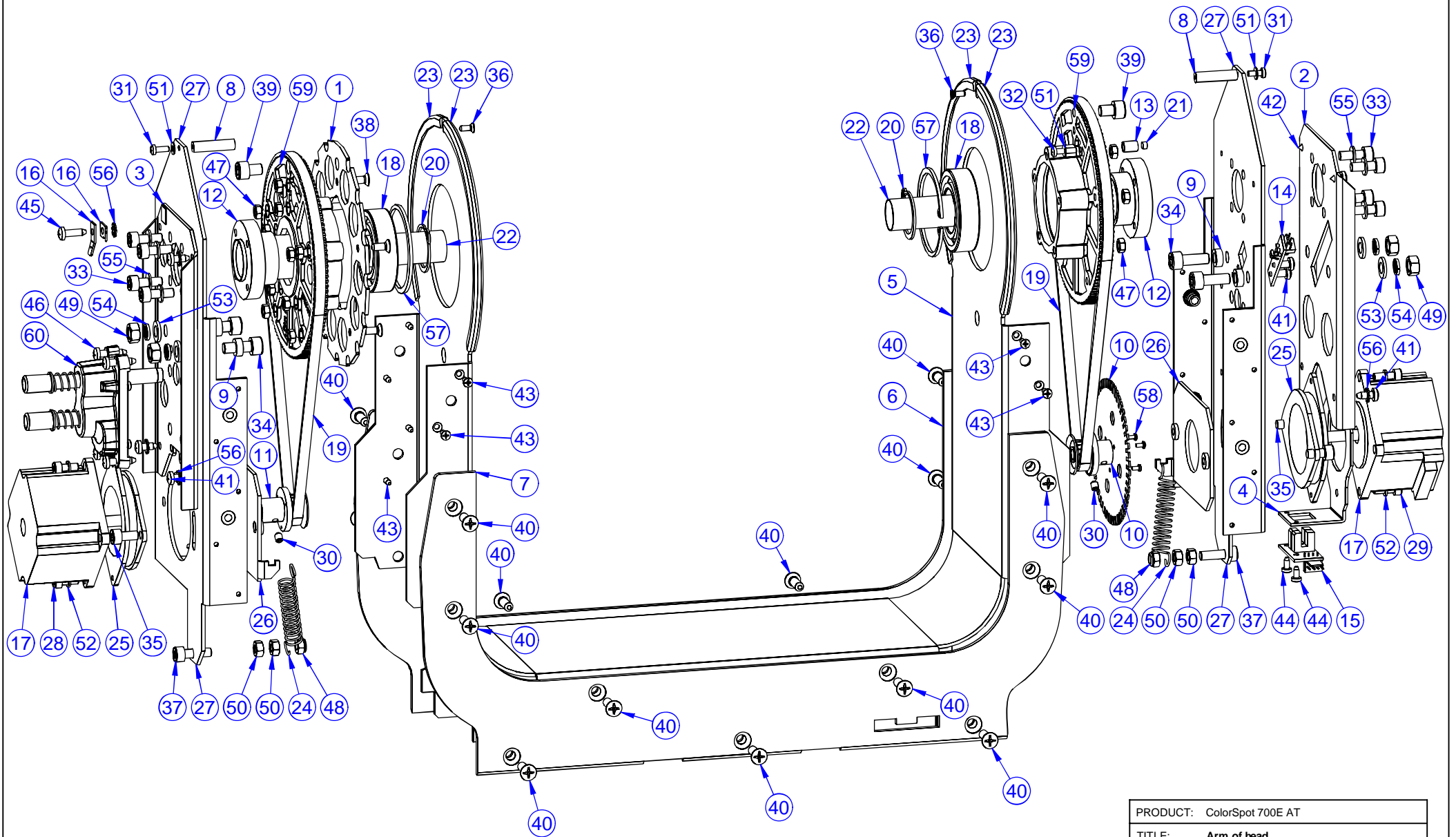
PRODUCT: ColorSpot 700E AT		
TITLE: Zoom, Focus - exploded		
DOCUMENT: 99011720		
VERSION: A	DATE: 16.7.2007	SHEET: 27 OF 36



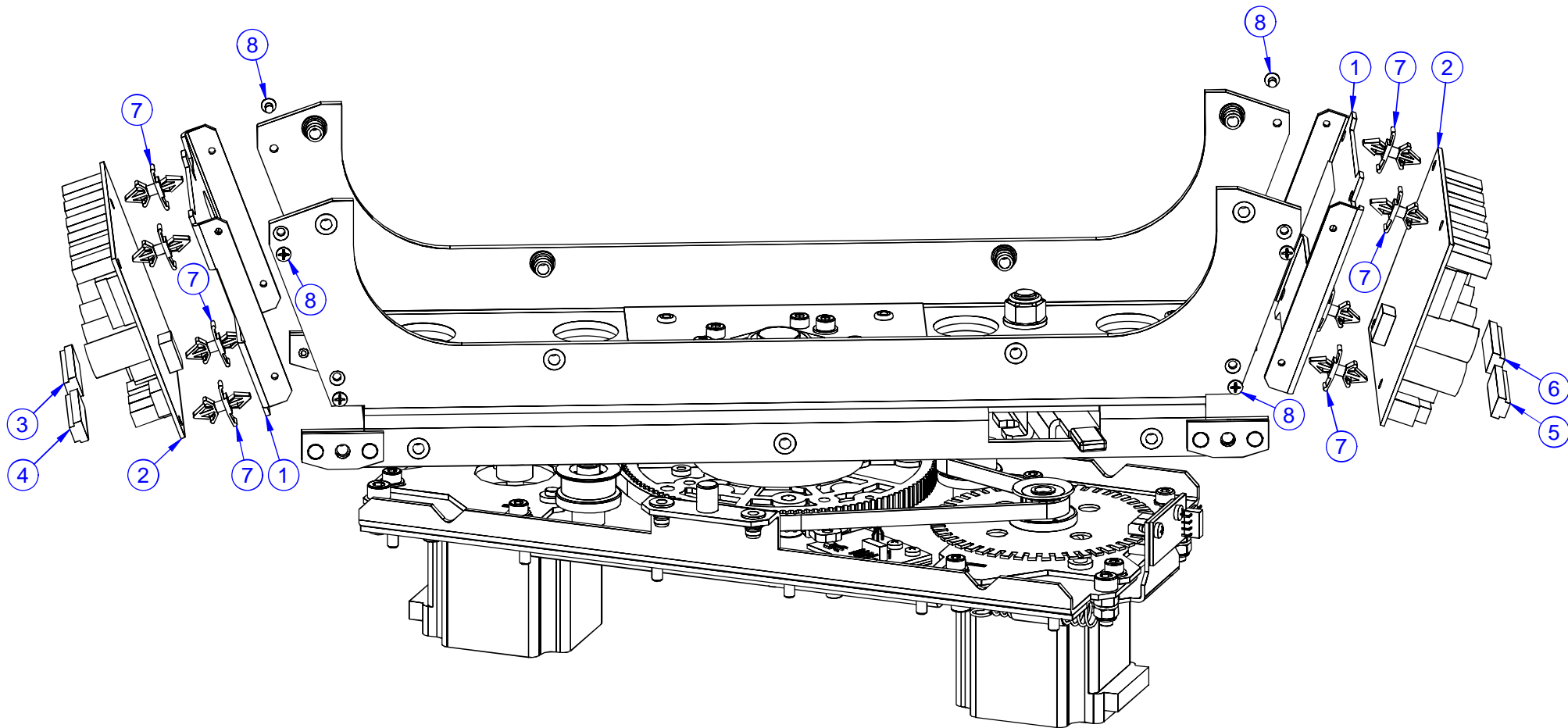
PRODUCT: ColorSpot 700E AT		
TITLE: Holder of electronic		
DOCUMENT: 99011775		
VERSION: A	DATE: 16.7.2007	SHEET: 28 OF 36



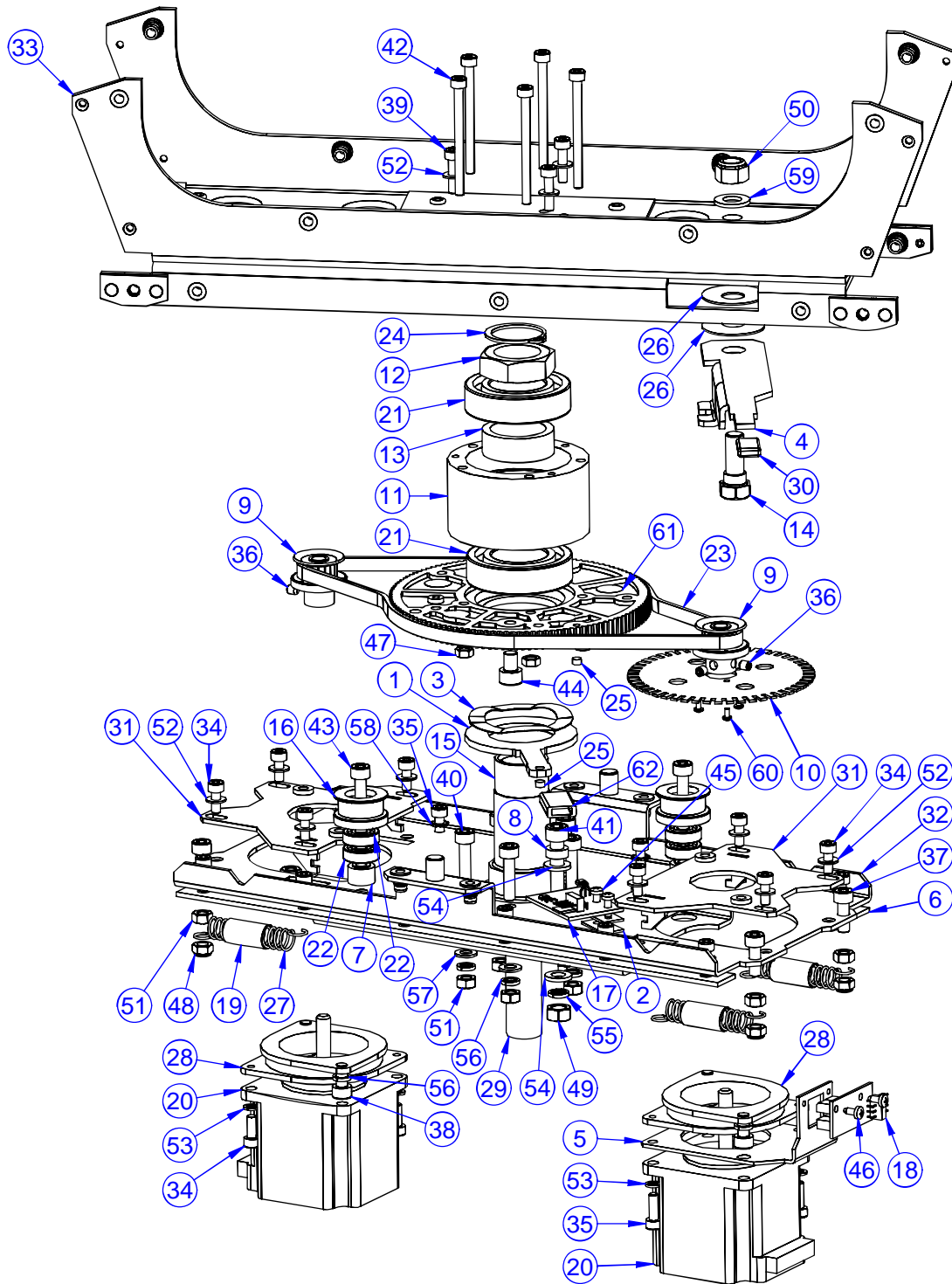
PRODUCT: ColorSpot 700E AT		
TITLE: Holder of objective		
DOCUMENT: 99011775		
VERSION: A	DATE: 16.7.2007	SHEET: 29 OF 36



PRODUCT: ColorSpot 700E AT		
TITLE: Arm of head		
DOCUMENT: 99011775		
VERSION: A	DATE: 16.7.2007	SHEET: 30 OF 36

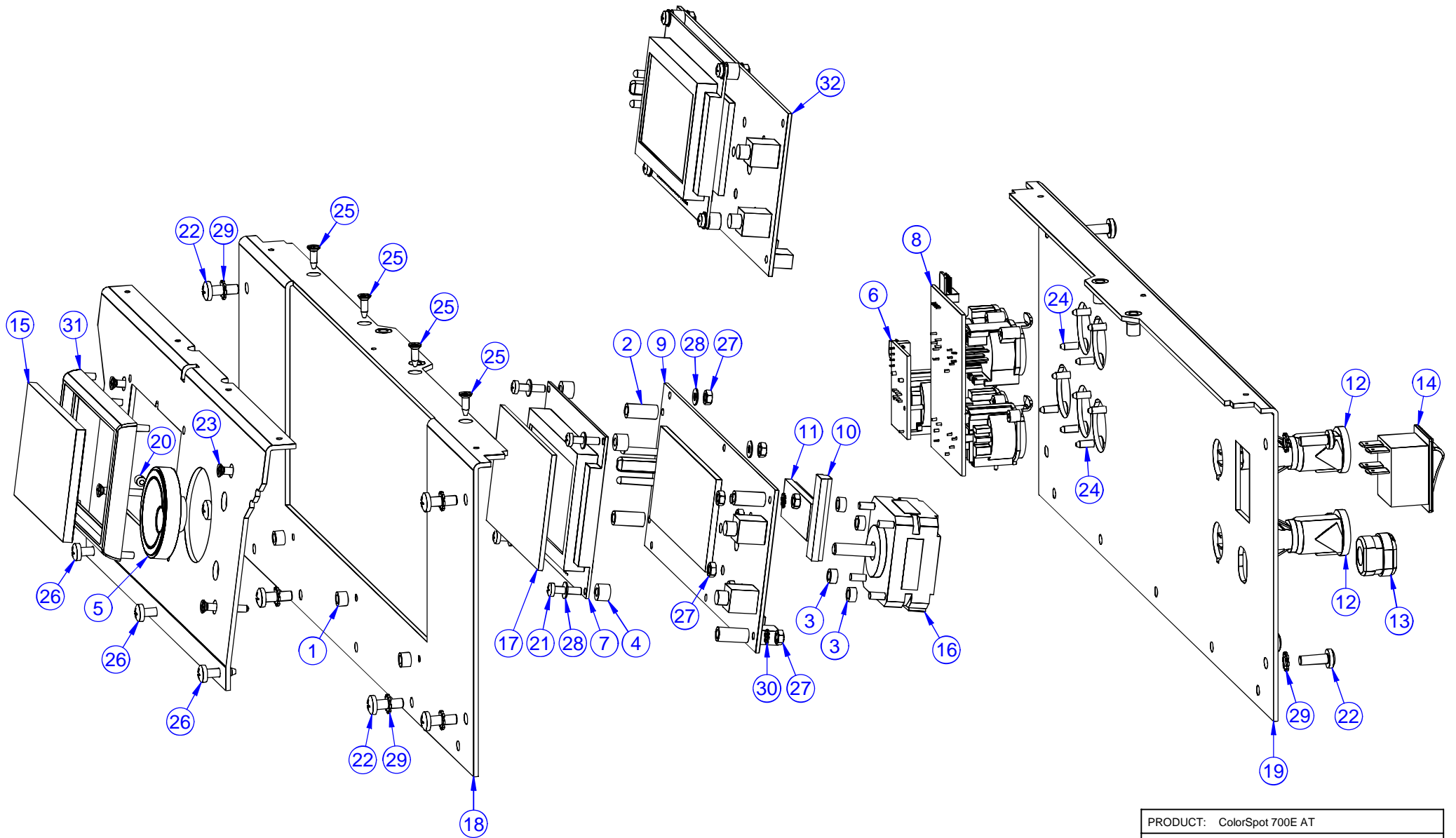


PRODUCT: ColorSpot 700E AT		
TITLE: <b>Axe X - Holder of electronic</b>		
DOCUMENT: 99011695		
VERSION: A	DATE: 16.7.2007	SHEET: 31 OF 36

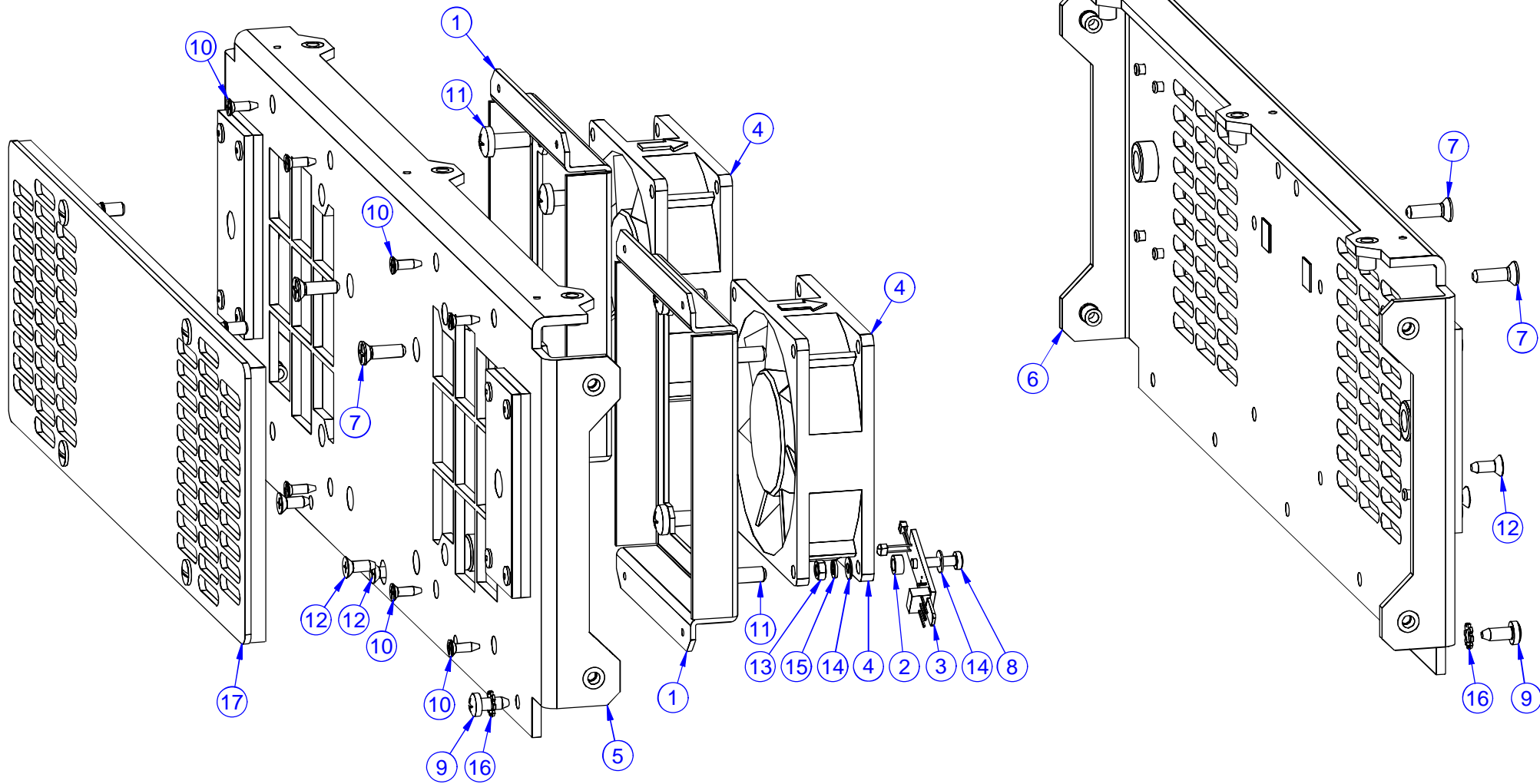


PRODUCT: ColorSpot 700E AT		
TITLE: <b>Axe "X"</b>		
DOCUMENT: 99011688		
VERSION: A	DATE: 16.7.2007	SHEET: 32 OF 36

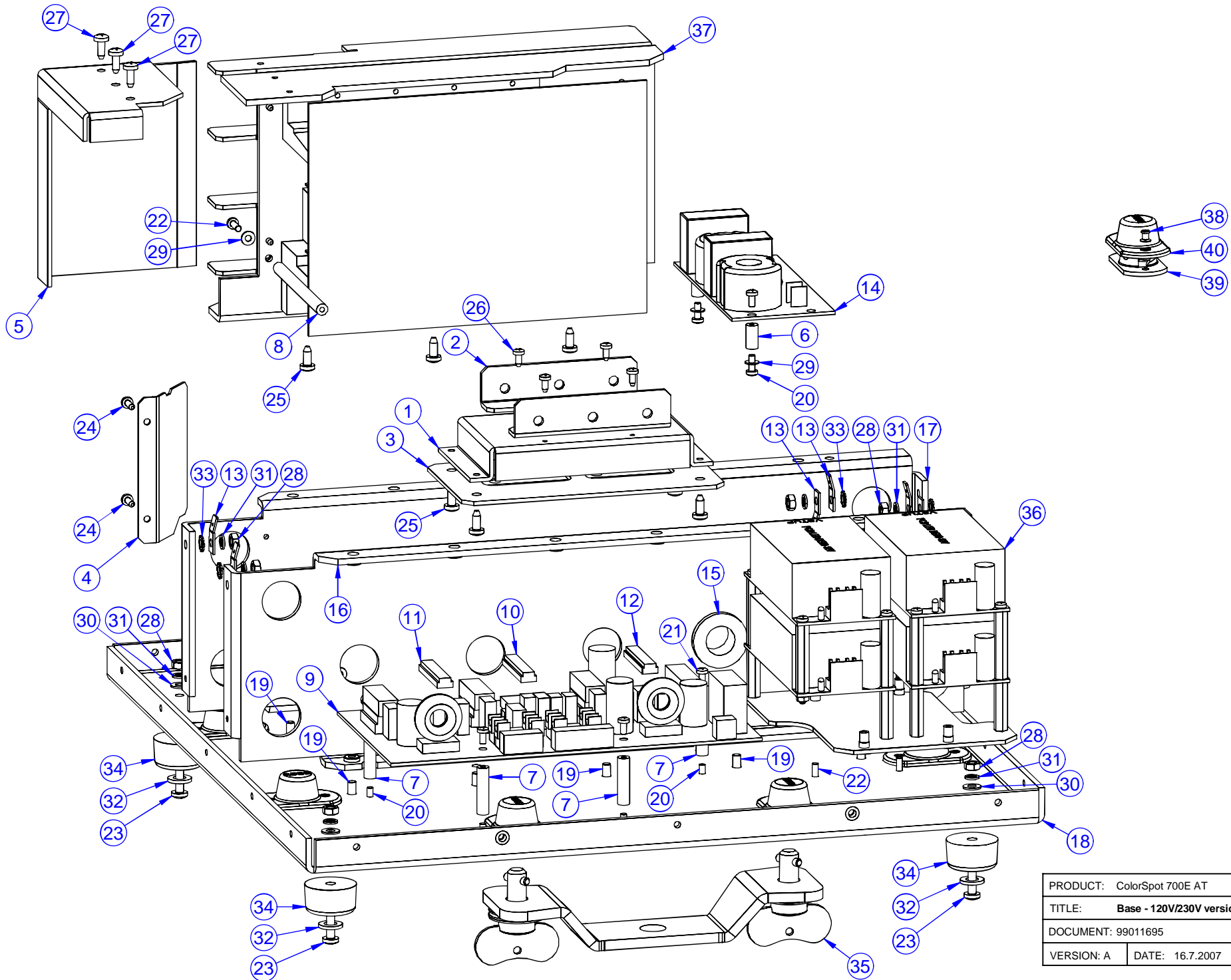




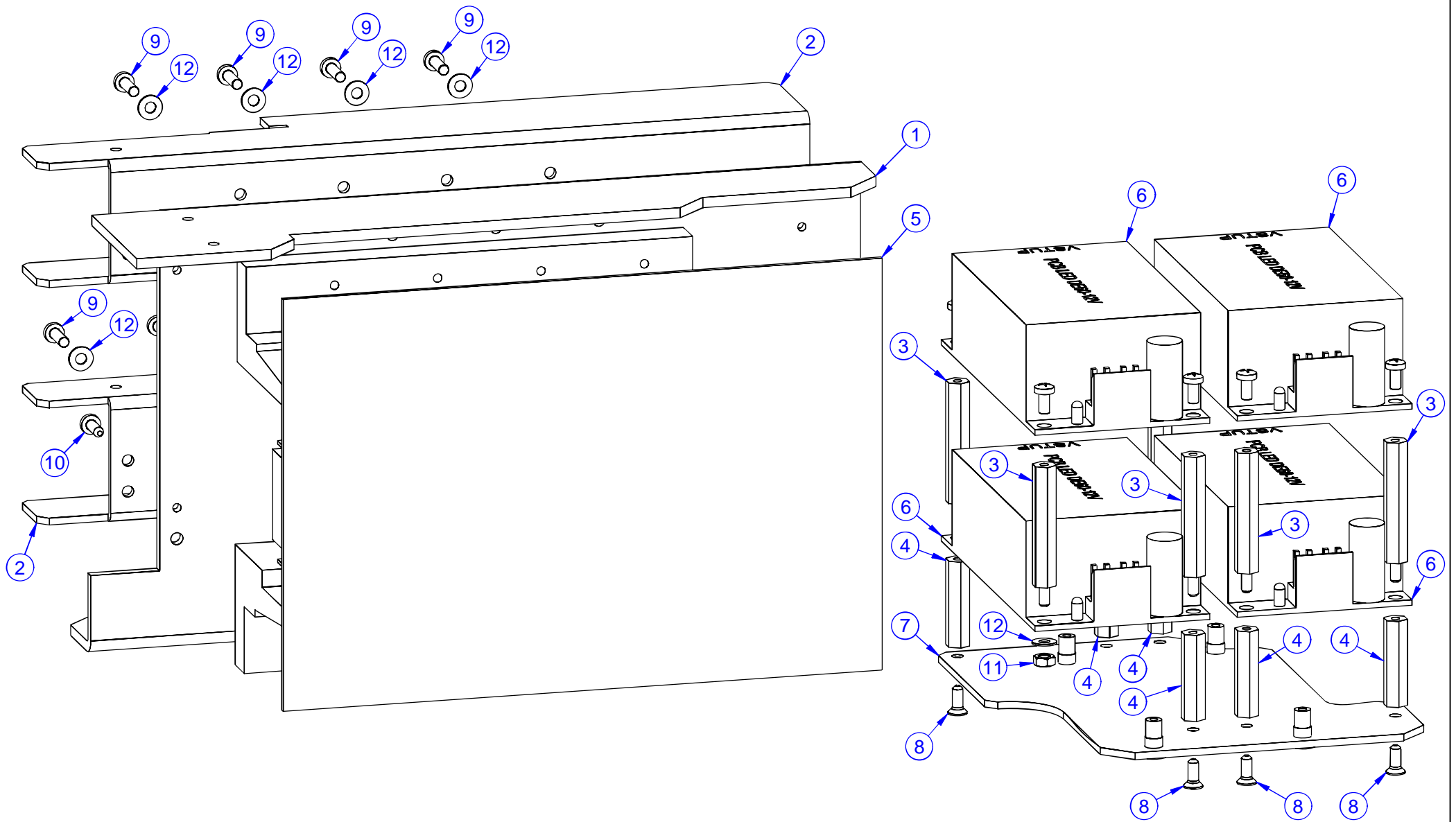
PRODUCT: ColorSpot 700E AT		
TITLE: Front and rear panel of base		
DOCUMENT: 99011695		
VERSION: A	DATE: 16.7.2007	SHEET: 33 OF 36



PRODUCT: ColorSpot 700E AT		
TITLE: Side panels of base		
DOCUMENT: 99011695		
VERSION: A	DATE: 16.7.2007	SHEET: 34 OF 36



PRODUCT: ColorSpot 700E AT		
TITLE: Base - 120V/230V version		
DOCUMENT: 99011695		
VERSION: A	DATE: 16.7.2007	SHEET: 35 OF 36



PRODUCT: ColorSpot 700E AT		
TITLE: <b>Module of power supply and ballast</b>		
DOCUMENT: 99011695		
VERSION: A	DATE: 16.7.2007	SHEET: 36 OF 36